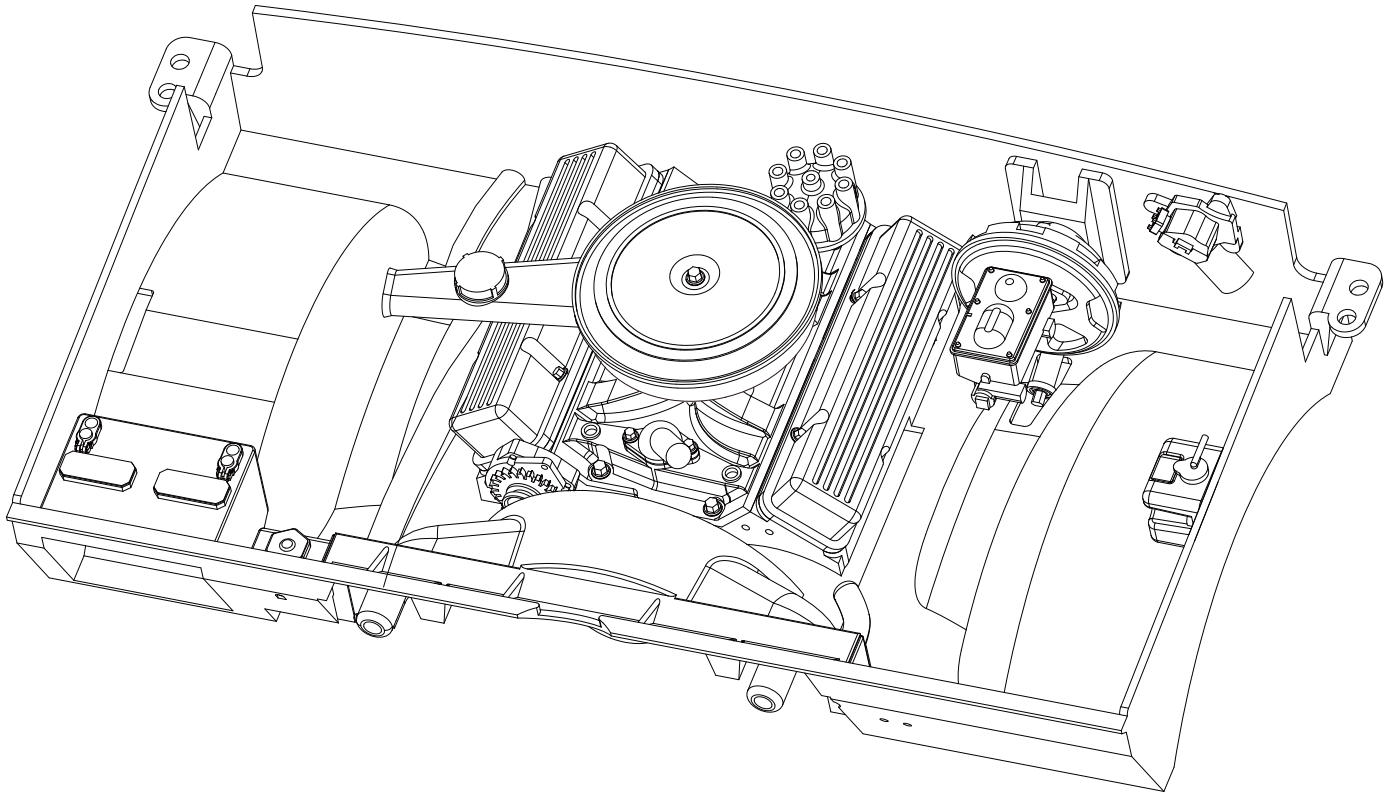




# RC4WD SMALL BLOCK V8 ENGINE BAY FOR CHEVROLET BLAZER AND K10



## Instruction Manual Symbols Key



CA Glue



Drill Hole



Cut with Scissors



Trim with Hobby Knife



Paint

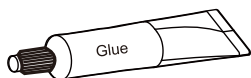


Body Reamer

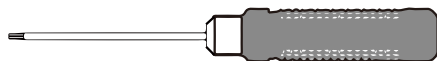


Attention

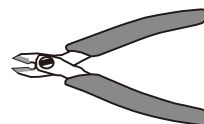
## Recommended Tools



(Foam safe CA, Shoe Goo, E6000, Styrene Glue, Epoxy)



Hex Drivers (1.5mm, 2mm)



Side Cutters



Hobby Knife

## Tips for Assembly

- Use good quality hex drivers to avoid stripping screw heads.
- Use “Step” index for quantity and size of hardware to be used for assembly.
- Do not overtighten screws.

### Recommendations for building your Dress up Kit for Engine Bay.

1. Carefully remove all pieces from parts trees with a hobby knife or side cutters. Take care to trim the injection point from the parts.
2. Test fit everything before gluing. Many areas will require extra attention to detail to ensure proper alignment.

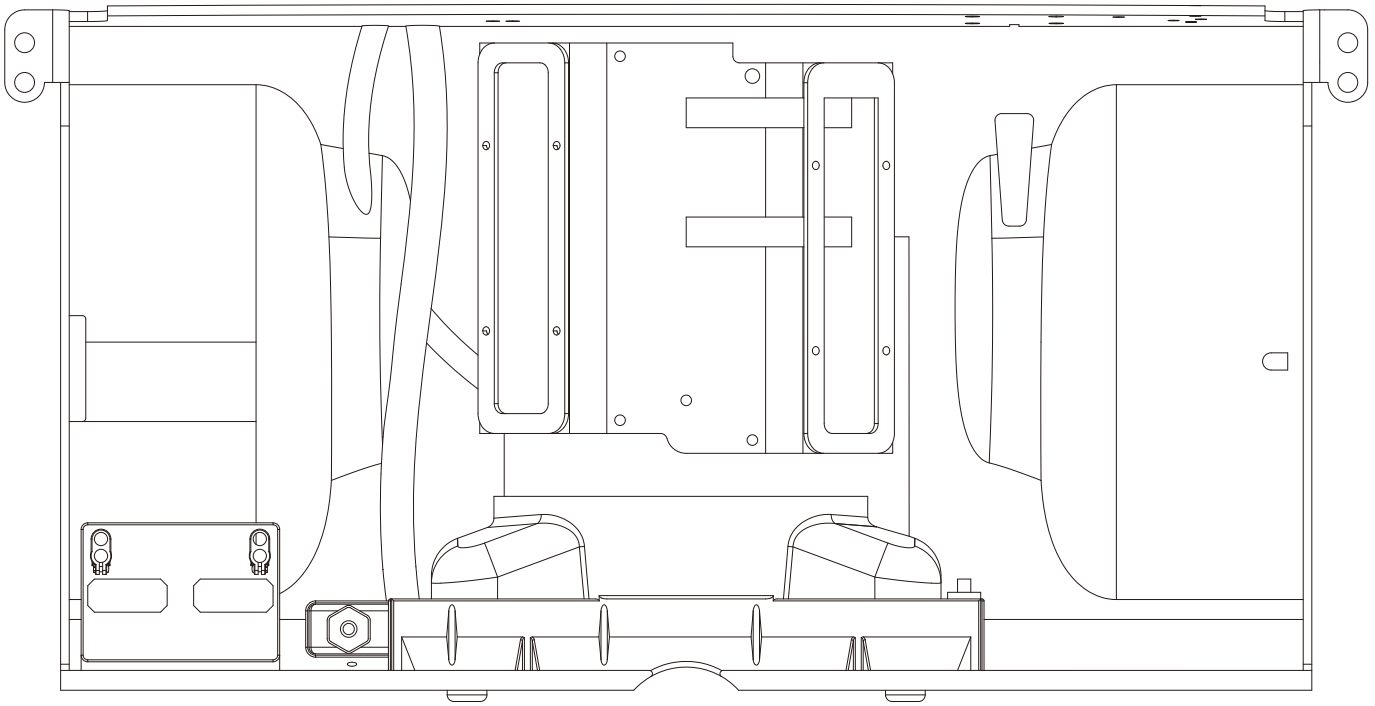
## Warranty

RC4WD non-electrical products are warranted to be free of defects in materials and workmanship when new. Our limited warranty does not cover damages due to normal wear and tear, user error of assembly or installation, user modifications, user's failure to perform routine maintenance, addition of aftermarket parts or option parts. This warranty lasts 30 days after arrival for original purchaser.

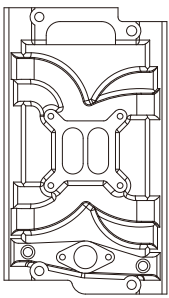
In the event of a defect under this warranty, RC4WD will, at our discretion, replace the product, provided our inspection indicates that an original defect exists. RC4WD reserves the right to replace any product which is no longer available with a product of comparable value and function. If RC4WD determines the repair is not covered under warranty guidelines, we will contact you to discuss your options. If you have any questions, please contact us via email at [support@rc4wd.com](mailto:support@rc4wd.com).

RC4WD warrants its electronics for 30 days from date of arrival. This covers all electrical items except items that are already noted on the individual product page.

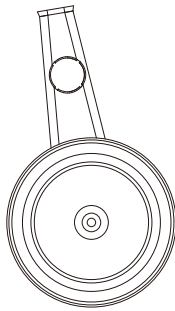
# Parts List



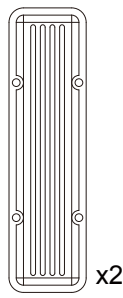
325-1385



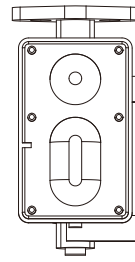
325-1386



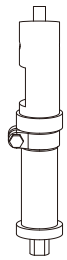
325-1387



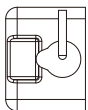
325-1388 x2



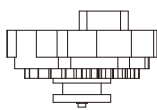
325-1389



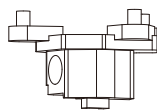
325-1390



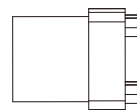
325-1391



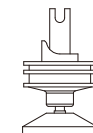
325-1392



325-1393



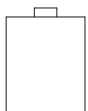
325-1394



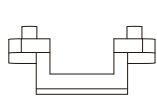
325-1395



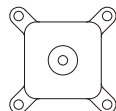
325-1396



325-1397



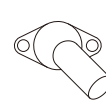
325-1398



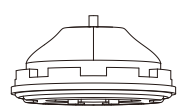
325-1399



325-1400



325-1401



325-1402



Z-S2052  
M1.6 x 4mm SHSTS



M2x4mm  
Cross Round HSTS



Z-S1124  
M1.6 x 4mm Hex Bolts



Z-S1759  
M1.6 x 5mm Hex Bolts



Z-S1802  
M2 x 4mm Hex Bolts



Z-S1196  
M2 x 6mm Hex Bolts



Nylon gasket  
M2.5x5x0.5mm



Z-S1328  
Hex Bolt Tool for M1.6  
Scale Bolts (1.5 mm Hex)

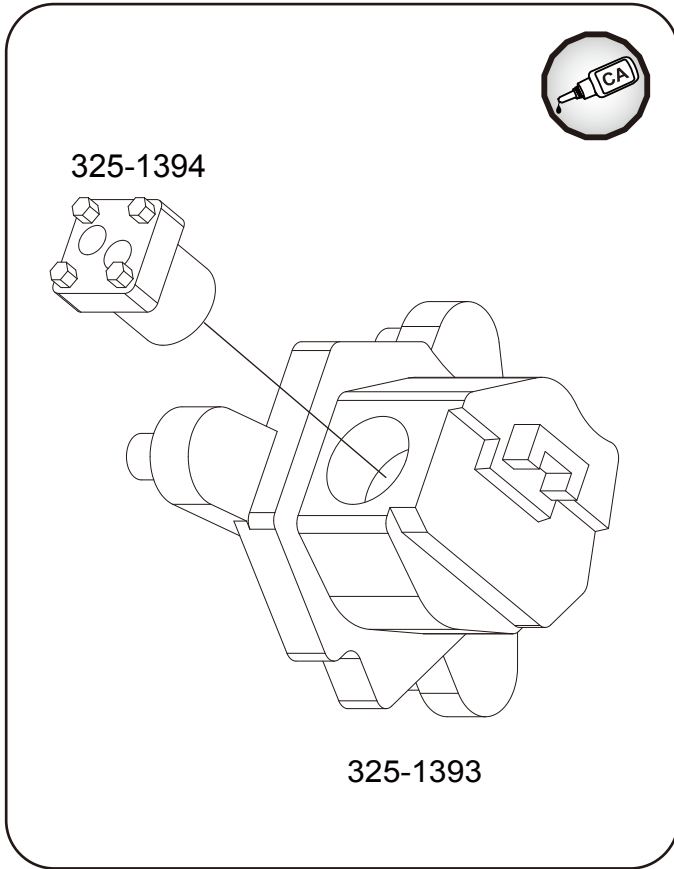


Z-S0626  
Miniature Scale Hex  
Bolt Tool (M2 Hex)

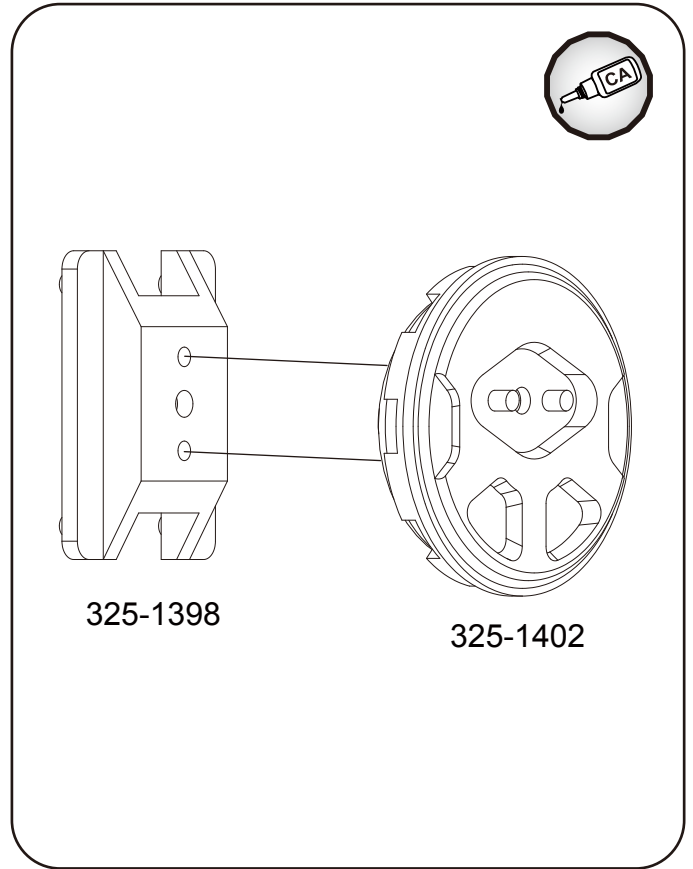


# RC4WD Small Block V8 Engine Bay for Chevrolet Blazer and K10

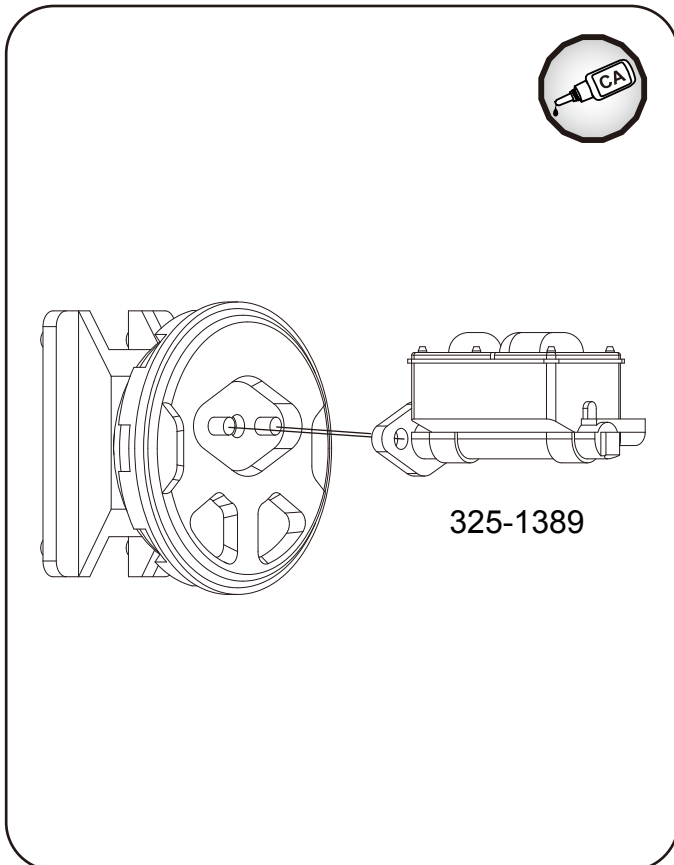
## Step 1.



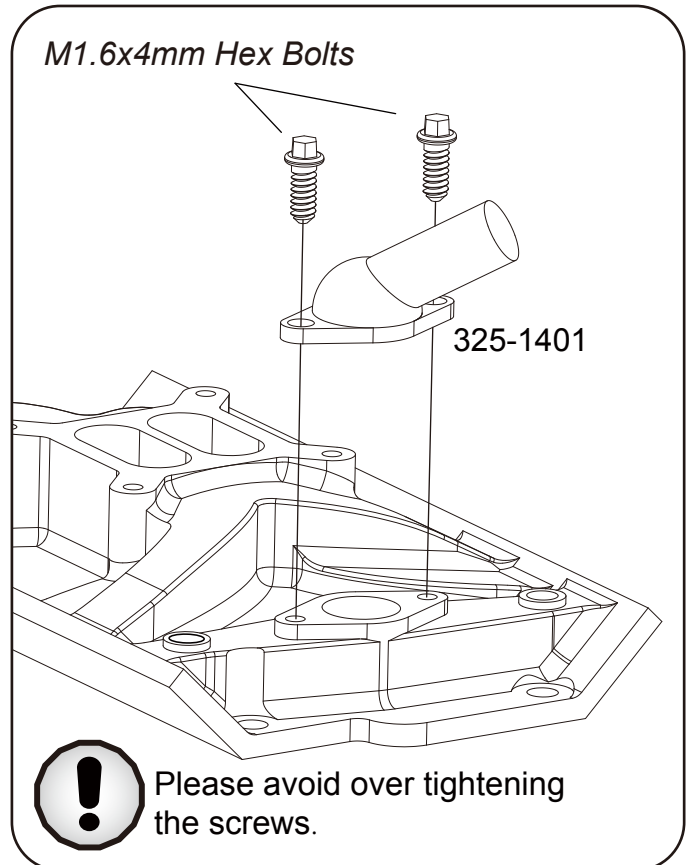
## Step 2.



## Step 3.



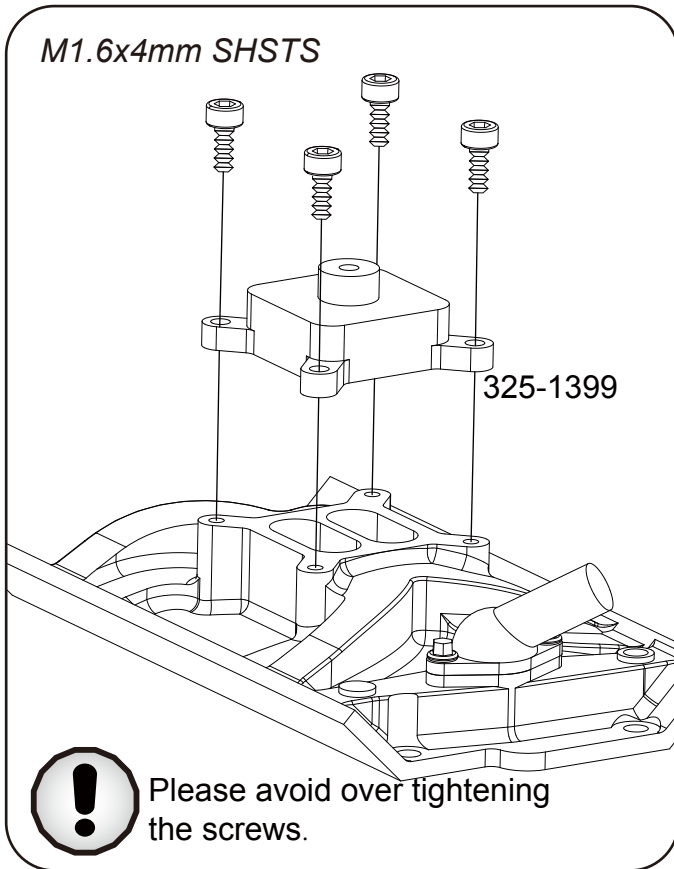
## Step 4.



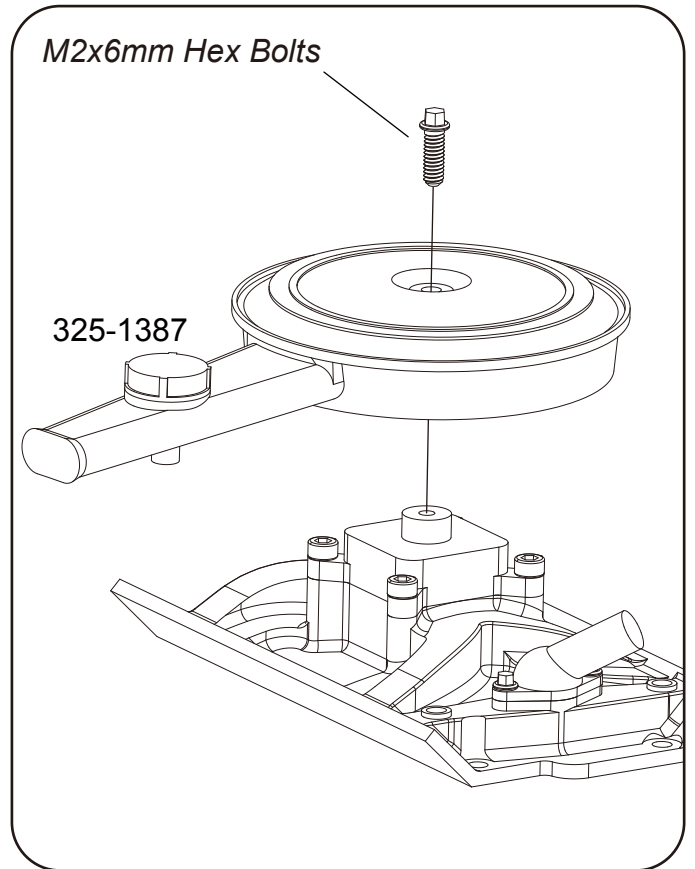


# RC4WD Small Block V8 Engine Bay for Chevrolet Blazer and K10

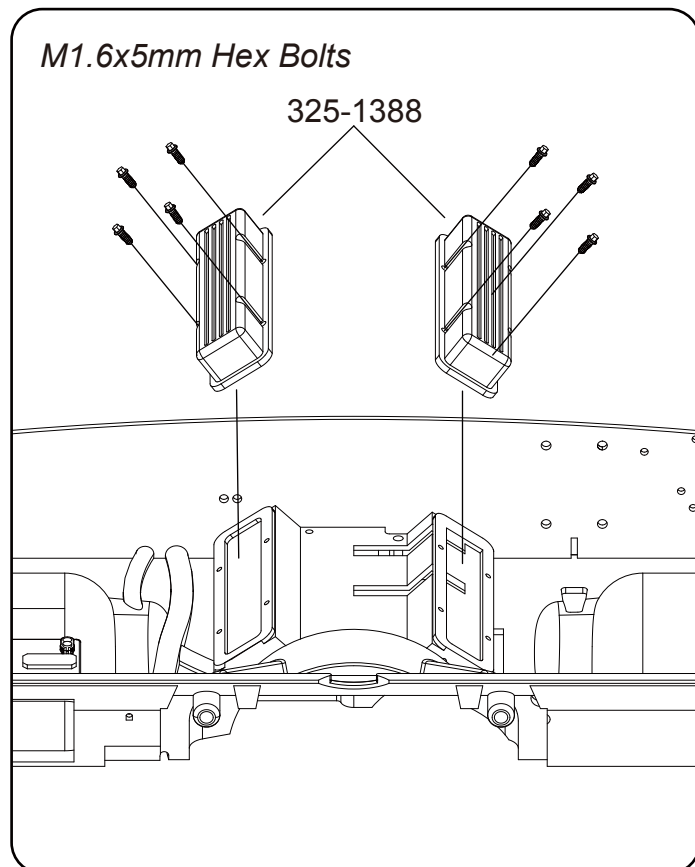
## Step 5.



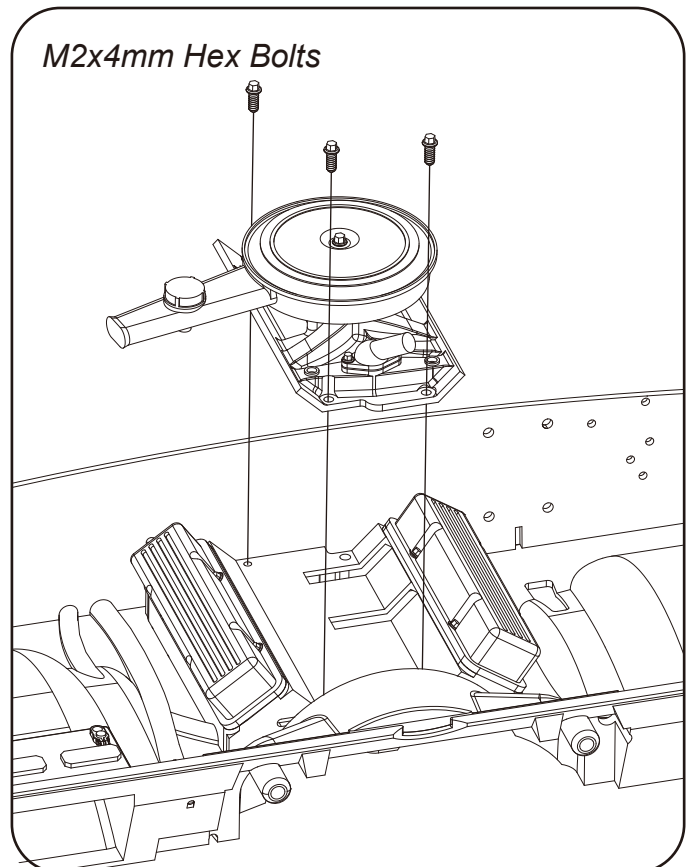
## Step 6.



## Step 7.



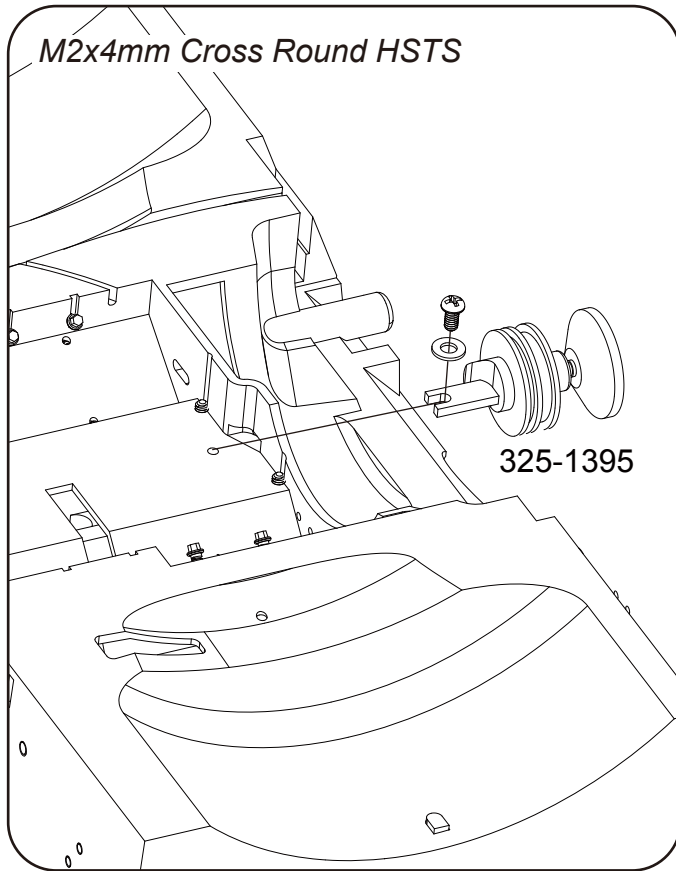
## Step 8.



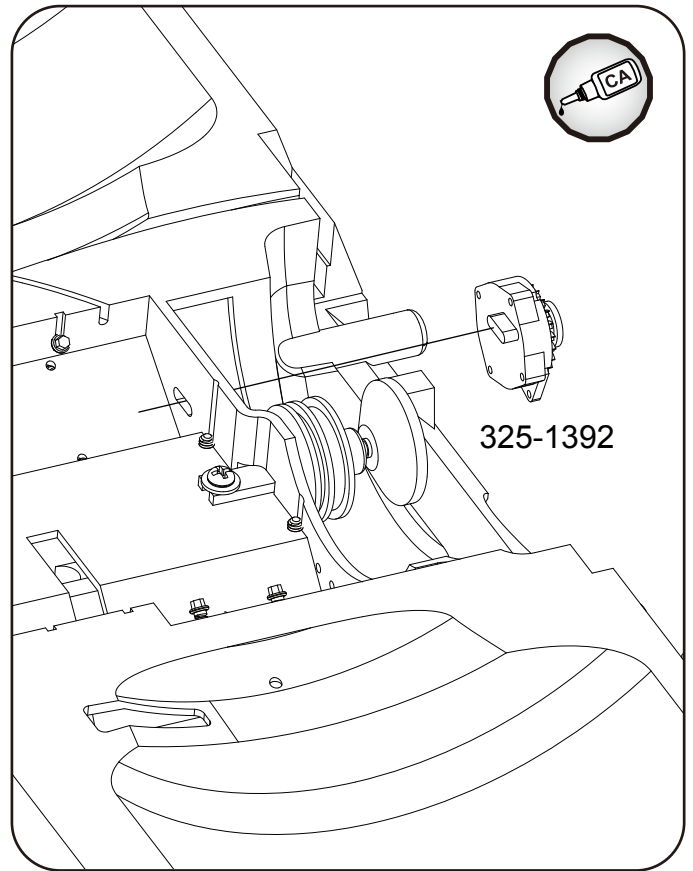


# RC4WD Small Block V8 Engine Bay for Chevrolet Blazer and K10

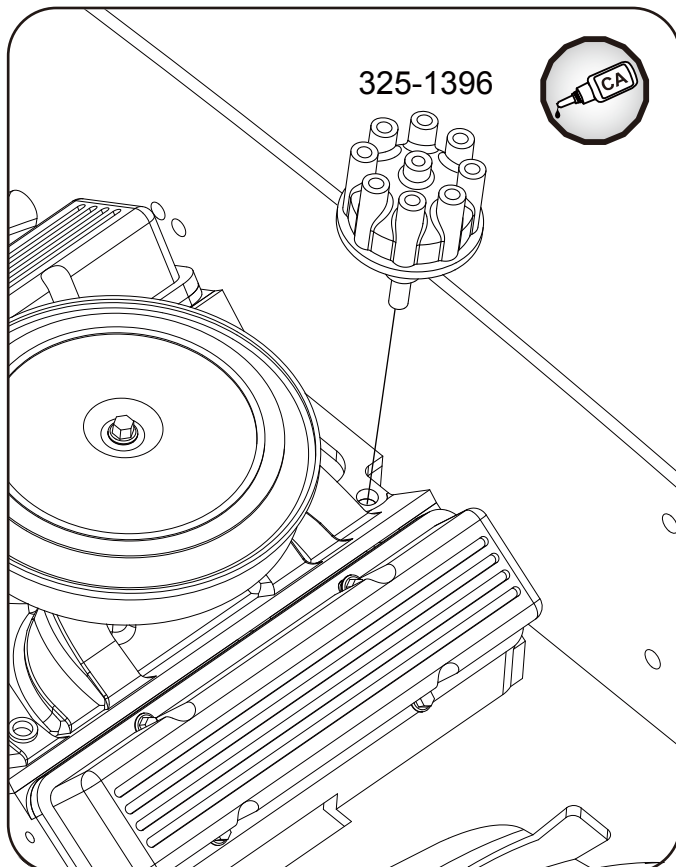
Step 9.



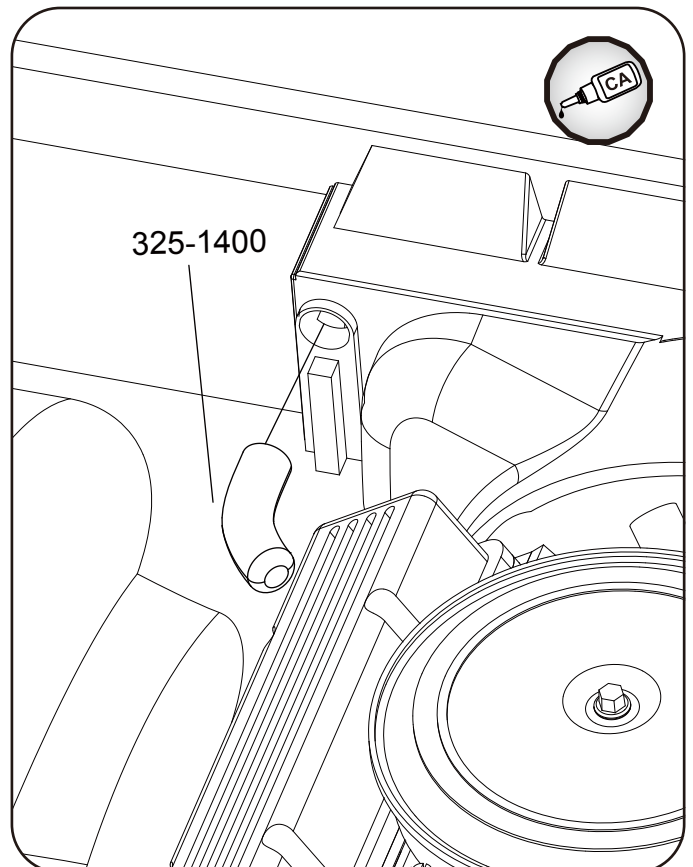
Step 10.



Step 11.



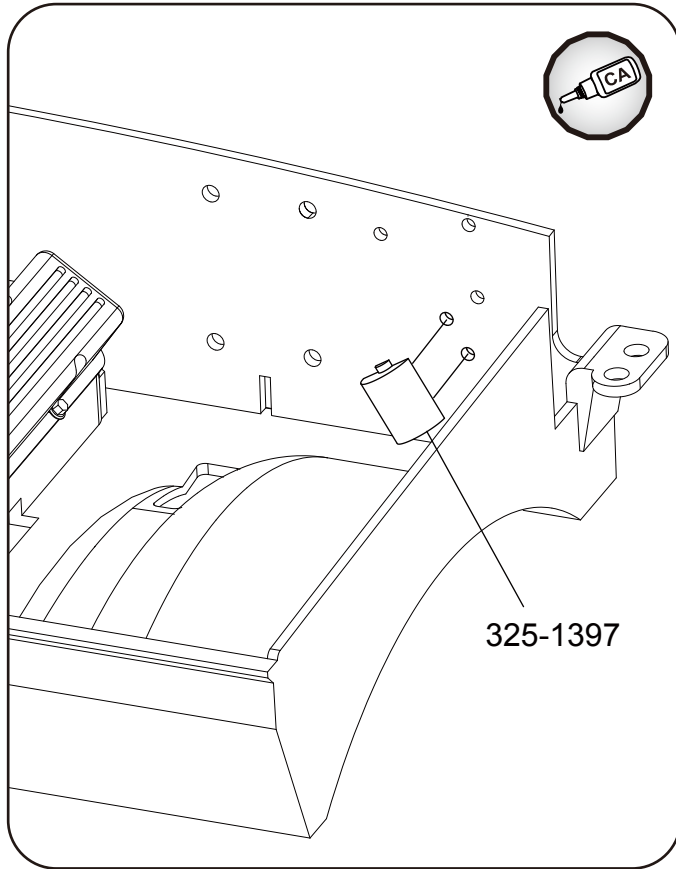
Step 12.



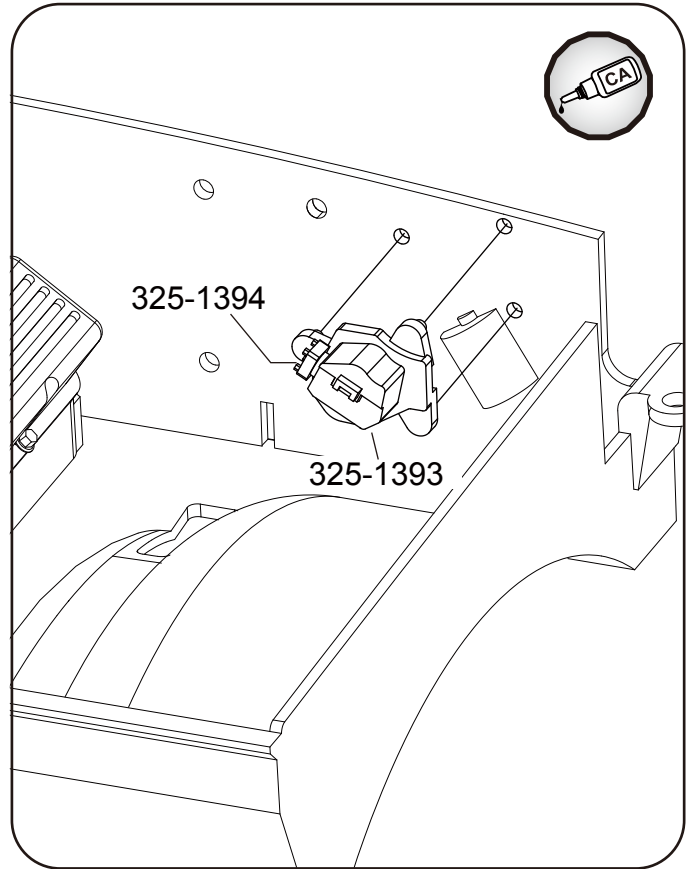


# RC4WD Small Block V8 Engine Bay for Chevrolet Blazer and K10

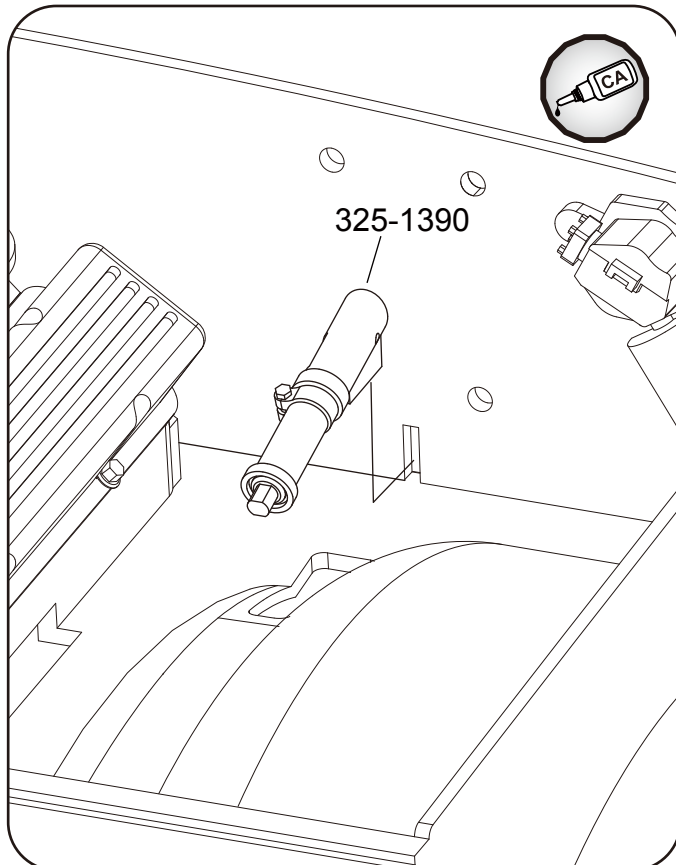
Step 13.



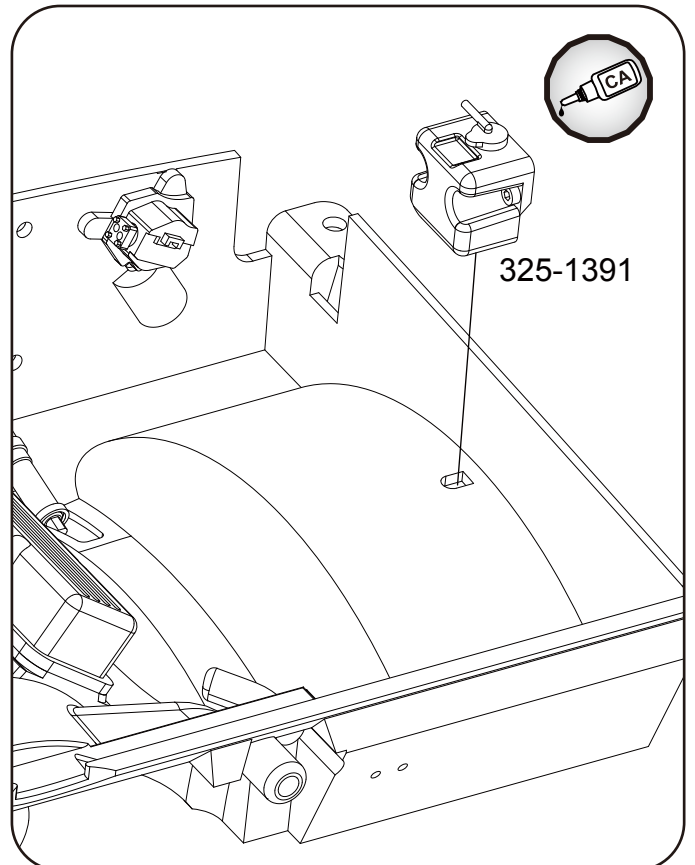
Step 14.



Step 15.



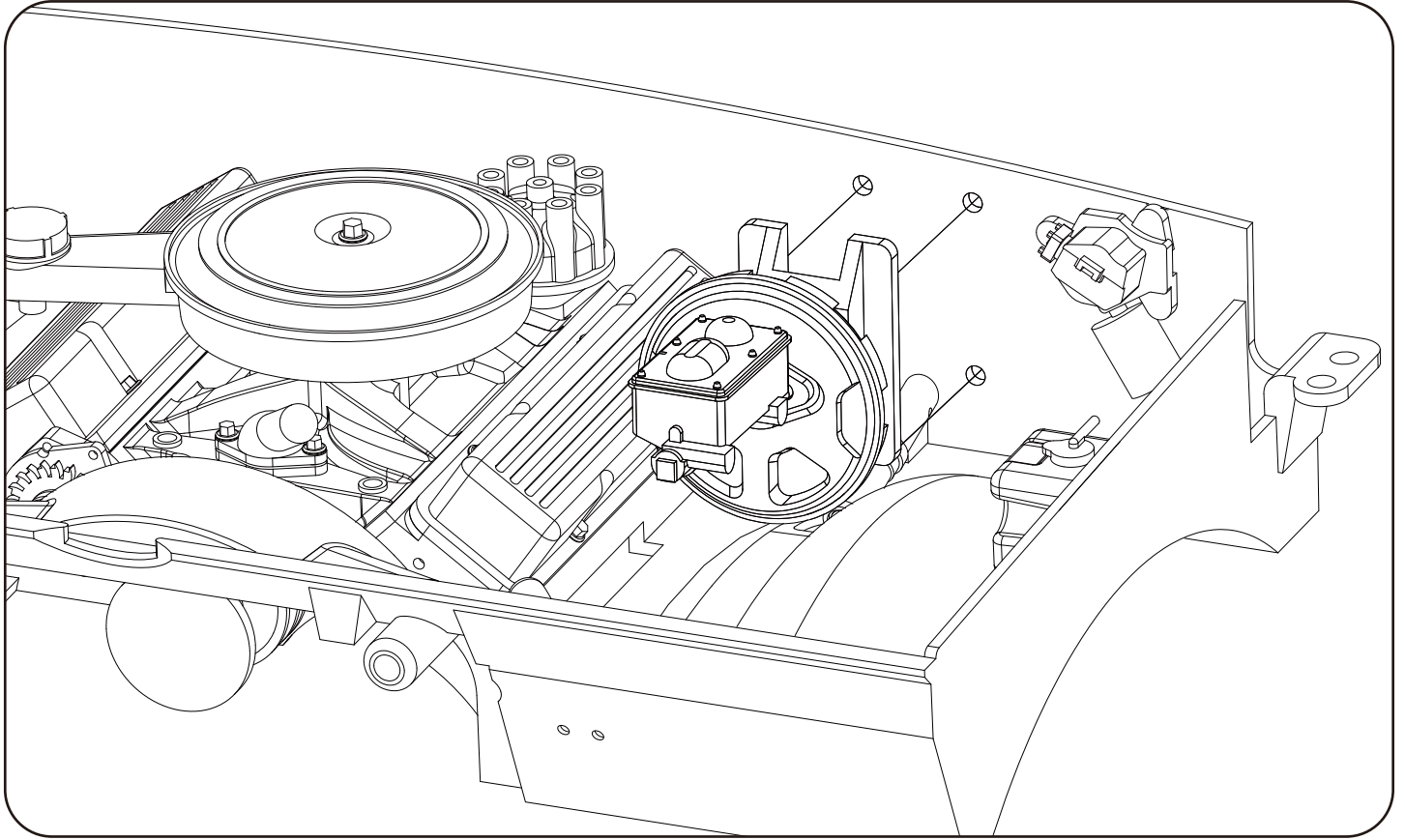
Step 16.



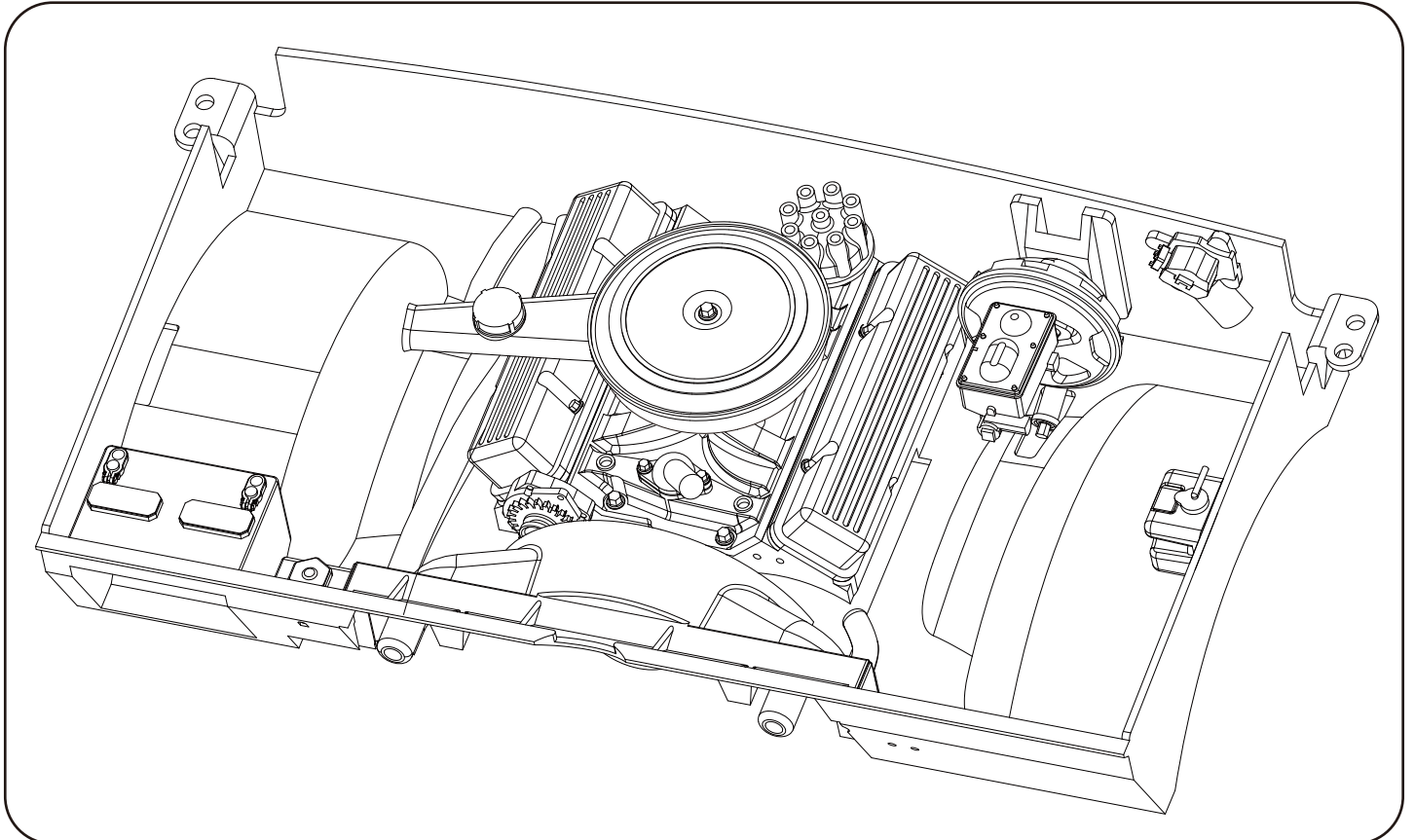


# RC4WD Small Block V8 Engine Bay for Chevrolet Blazer and K10

Step 17.



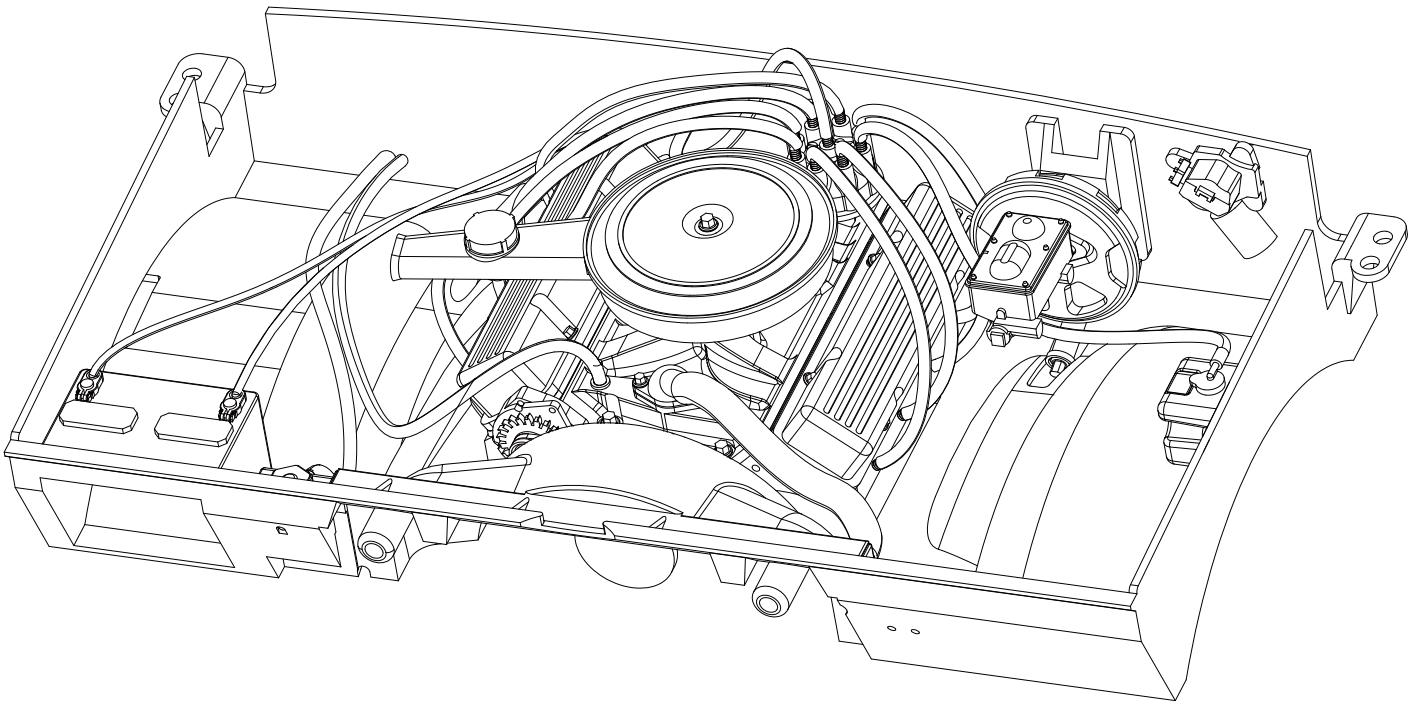
Step 18.







# RC4WD SMALL BLOCK V8 ENGINE BAY DRESS UP KIT FOR CHEVROLET BLAZER AND K10



## ***Instruction Manual Symbols Key***



CA Glue



Drill Hole



Cut with Scissors



Trim with Hobby Knife



Paint

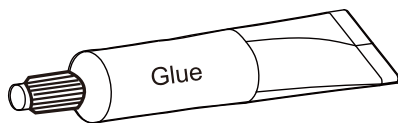


Body Reamer

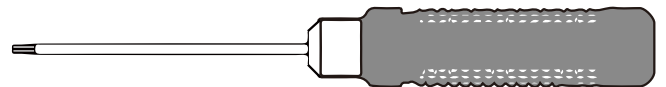


Attention

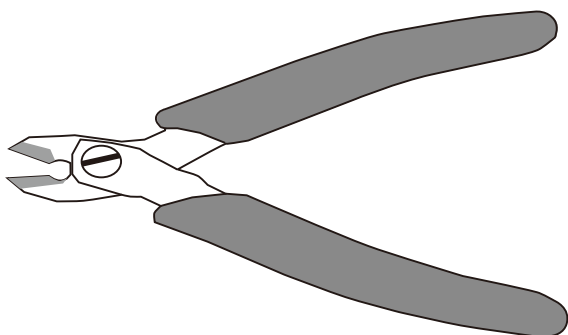
## ***Recommended Tools***



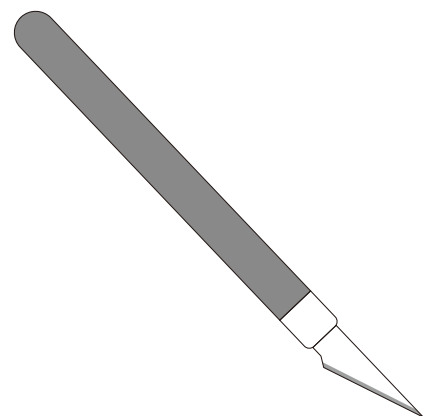
(Foam safe CA, Shoe Goo, E6000, Styrene Glue, Epoxy)



Hex Drivers (1.5mm, 2mm)



Side Cutters



Hobby Knife

## ***Tips for Assembly***

- Use good quality hex drivers to avoid stripping screw heads.
- Use “Step” index for quantity and size of hardware to be used for assembly
- Do not overtighten screws.

### **Recommendations for building your Dress up Kit for Engine Bay.**

1. Carefully remove all pieces from parts trees with a hobby knife or side cutters. Take care to trim the injection point from the parts.
2. Test fit everything before gluing. Many areas will require extra attention to detail to ensure proper alignment.

## ***Warranty***

RC4WD non-electrical products are warranted to be free of defects in materials and workmanship when new. Our limited warranty does not cover damages due to normal wear and tear, user error of assembly or installation, user modifications, user's failure to perform routine maintenance, addition of aftermarket parts or option parts. This warranty lasts 30 days after arrival for original purchaser.

In the event of a defect under this warranty, RC4WD will, at our discretion, replace the product, provided our inspection indicates that an original defect exists. RC4WD reserves the right to replace any product which is no longer available with a product of comparable value and function. If RC4WD determines the repair is not covered under warranty guidelines, we will contact you to discuss your options. If you have any questions, please contact us via email at [support@rc4wd.com](mailto:support@rc4wd.com).

RC4WD warranties its electronics for 30 days from date of arrival. This covers all electrical items except items that are already noted on the individual product page.

## ***Parts List***



750-0068



Z-S1759  
M1.6 x 5mm Hex Bolts



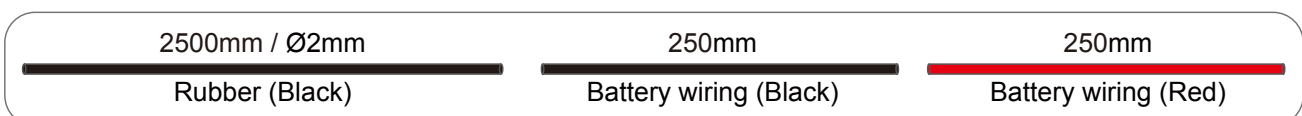
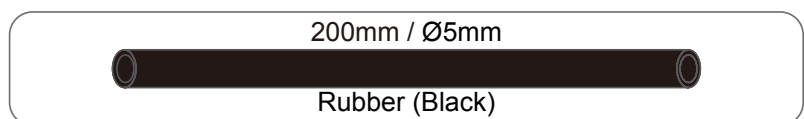
HSHS x20  
M1.6 X 6mm



Z-S1328 x1  
Hex Bolt Tool for M1.6  
Scale Bolts (1.5 mm Hex)



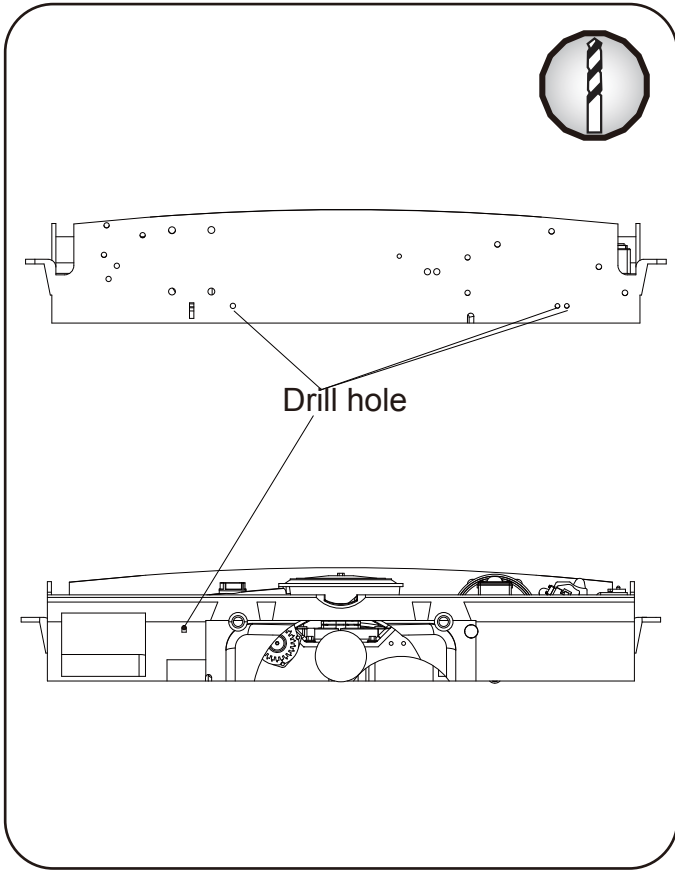
Drill Tool  
X2  
0.7mmx11mm hex L-shaped wrench



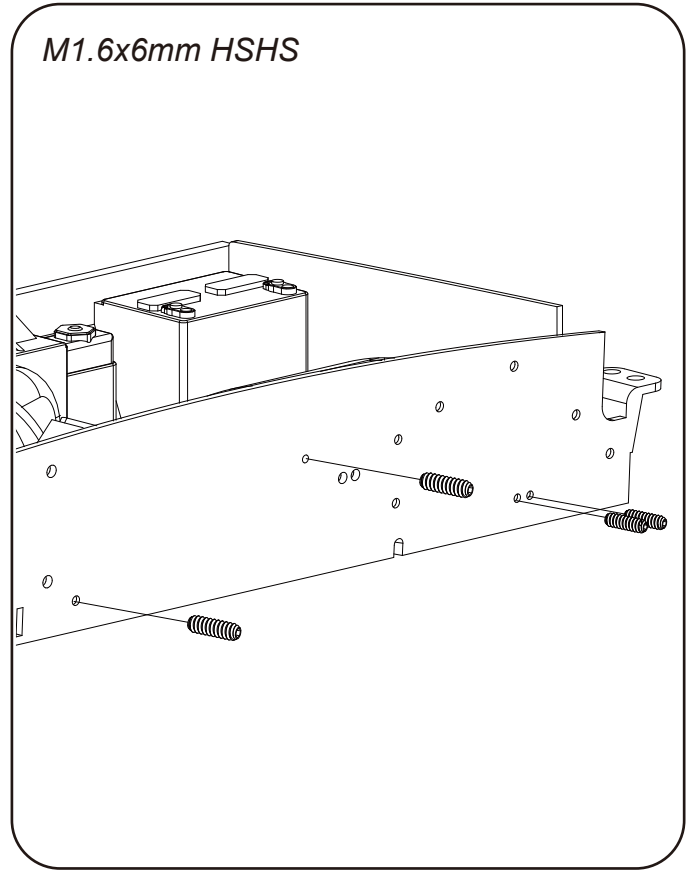


# RC4WD Small Block V8 Engine Bay Dress Up Kit for Chevrolet Blazer and K10

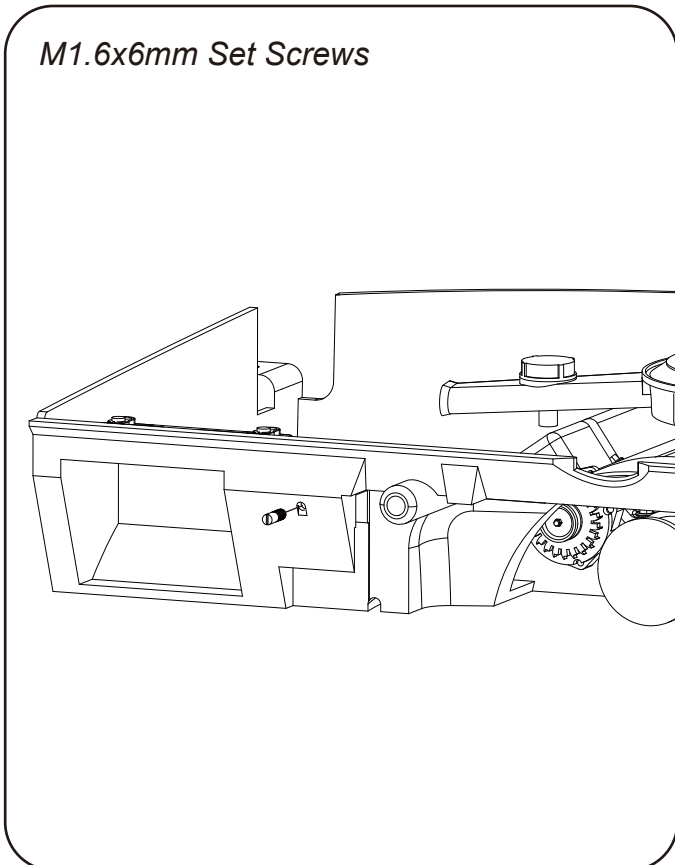
Step 1.



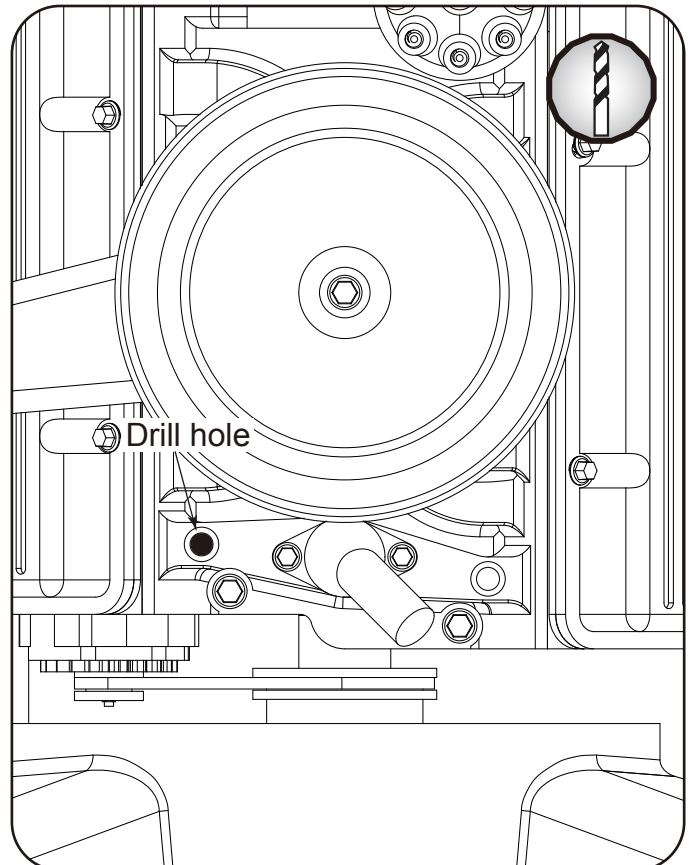
Step 2.



Step 3.



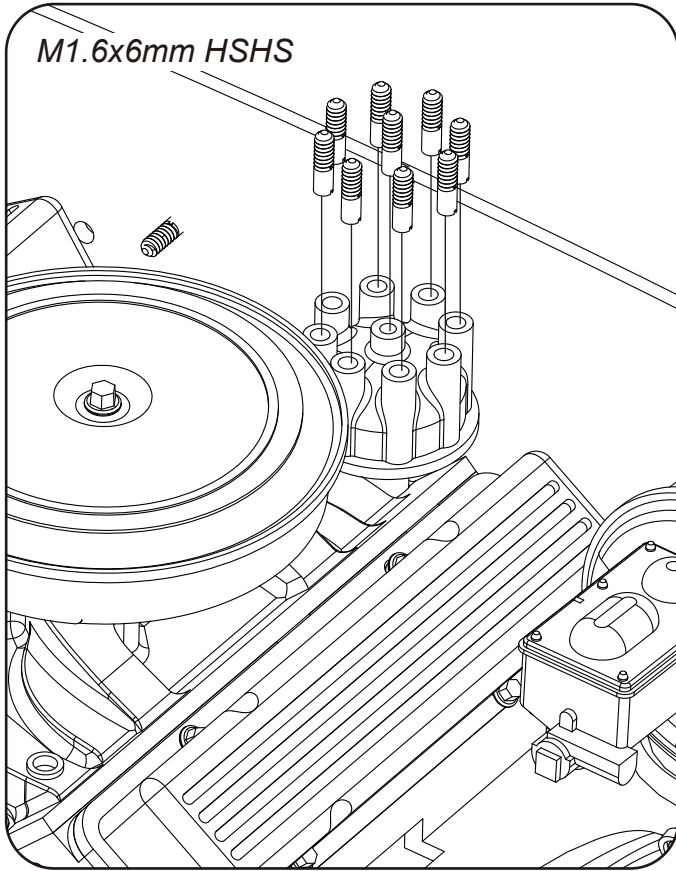
Step 4.



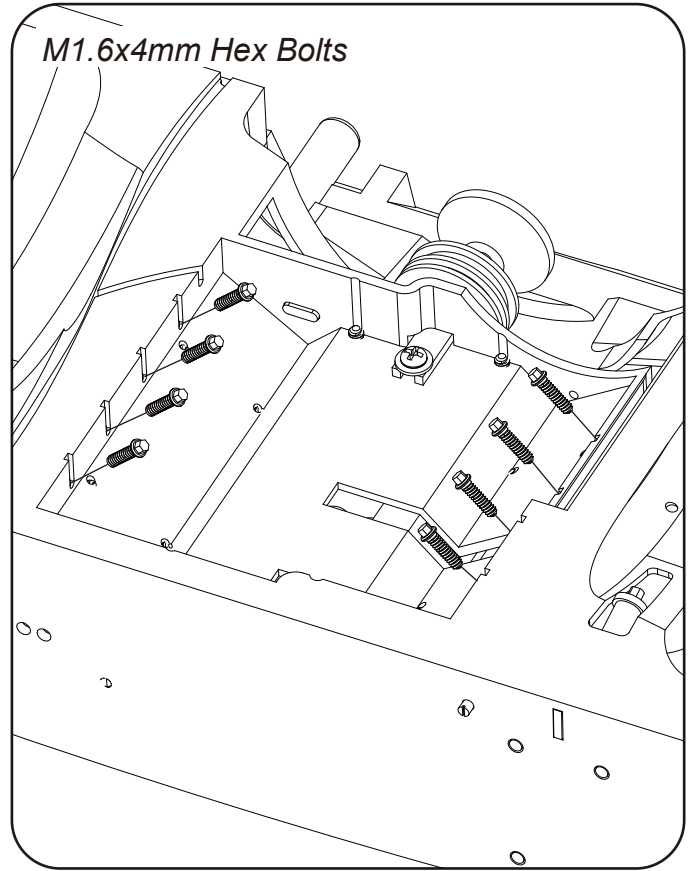


# RC4WD Small Block V8 Engine Bay Dress Up Kit for Chevrolet Blazer and K10

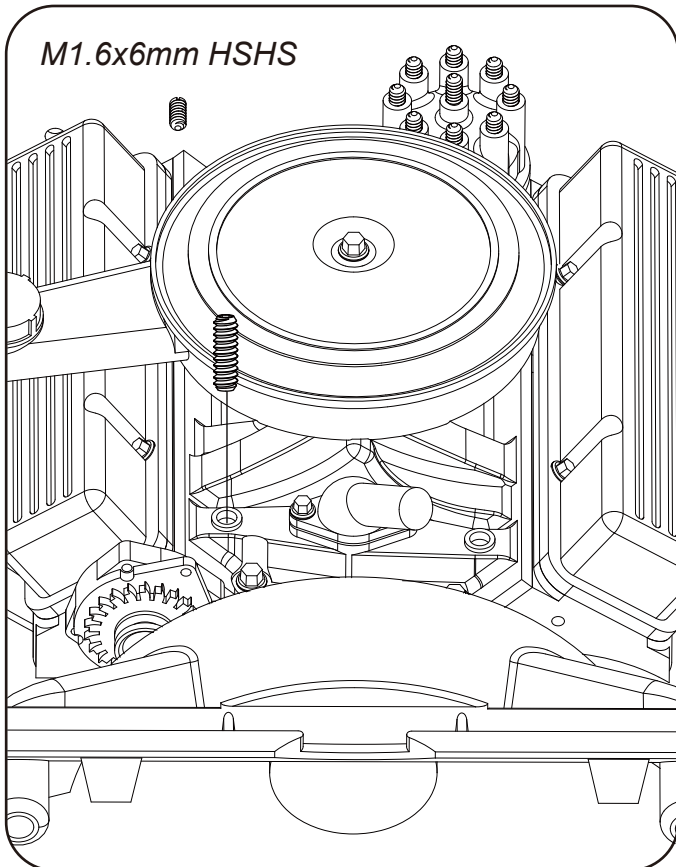
**Step 5.**



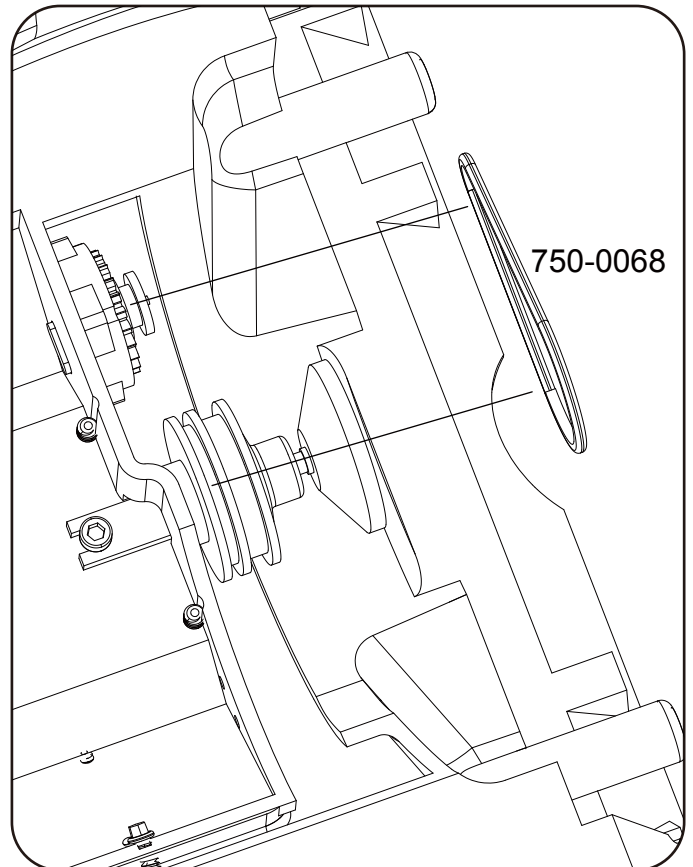
**Step 6.**



**Step 7.**



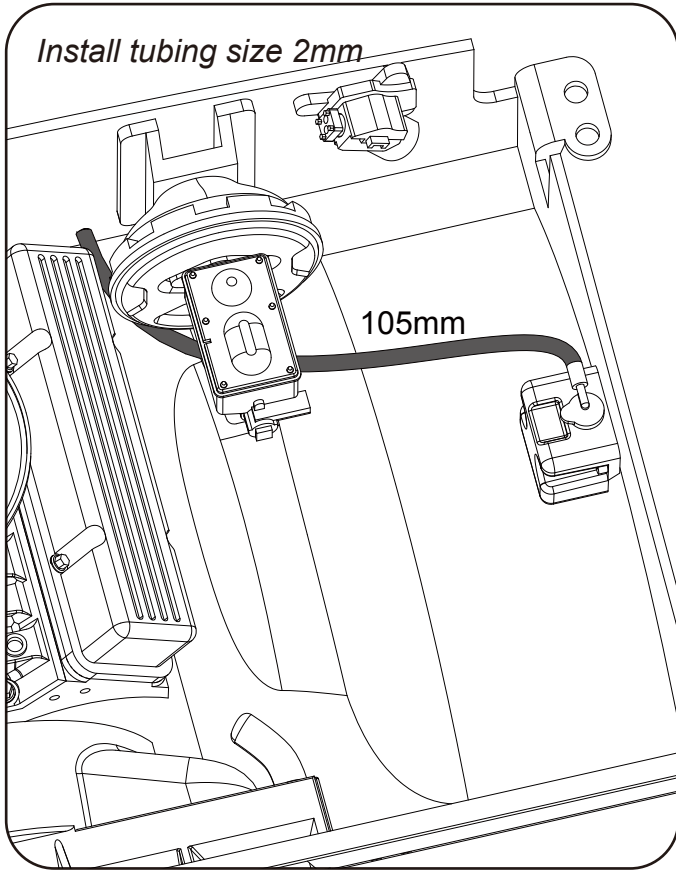
**Step 8.**



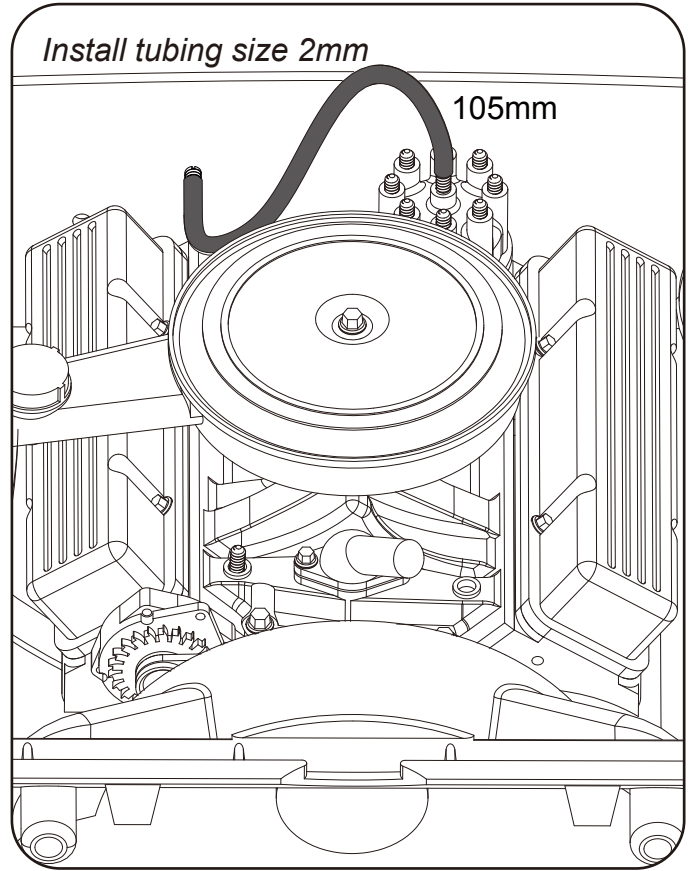


# RC4WD Small Block V8 Engine Bay Dress Up Kit for Chevrolet Blazer and K10

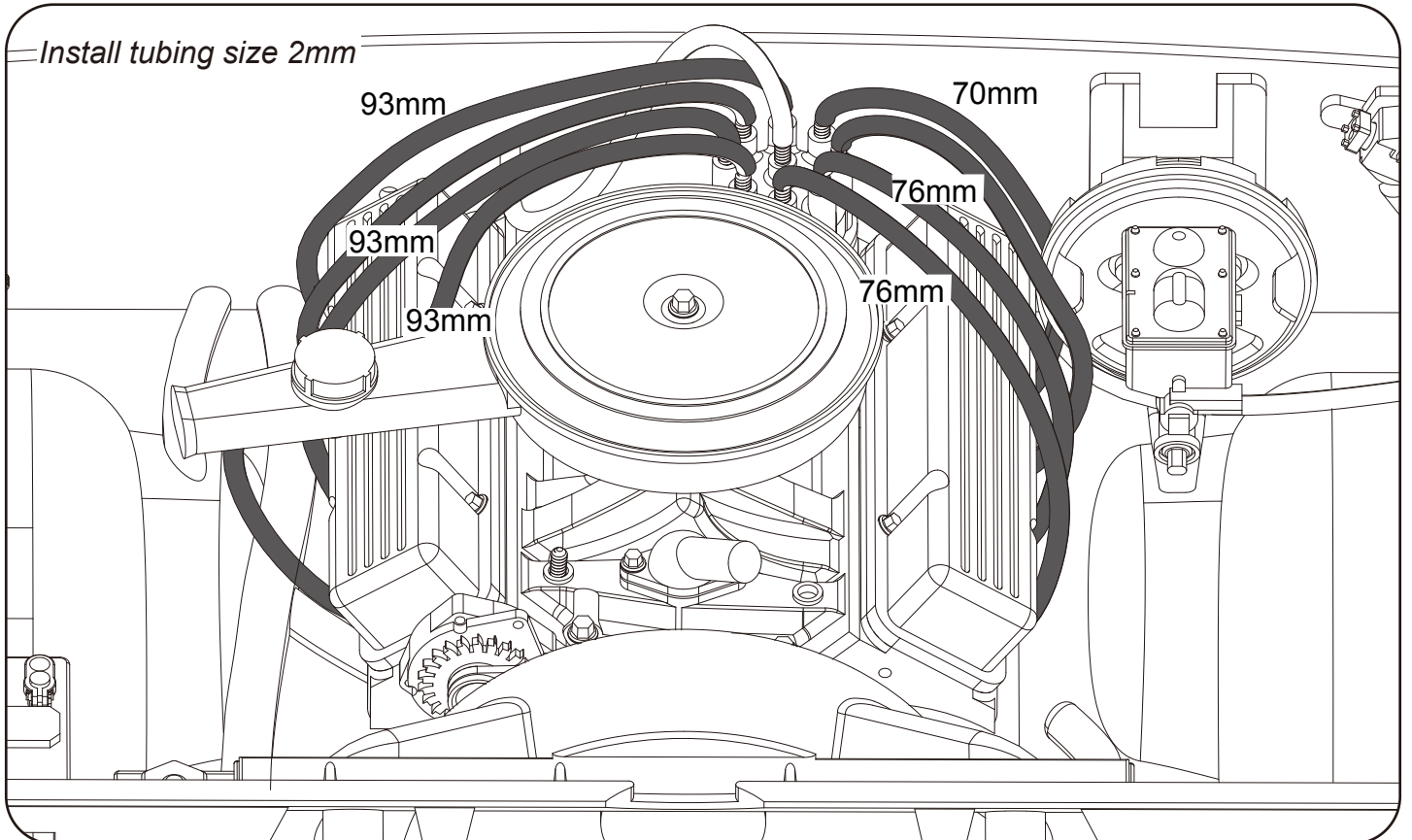
**Step 9.** *The length is for reference only.*



**Step 10.** *The length is for reference only.*



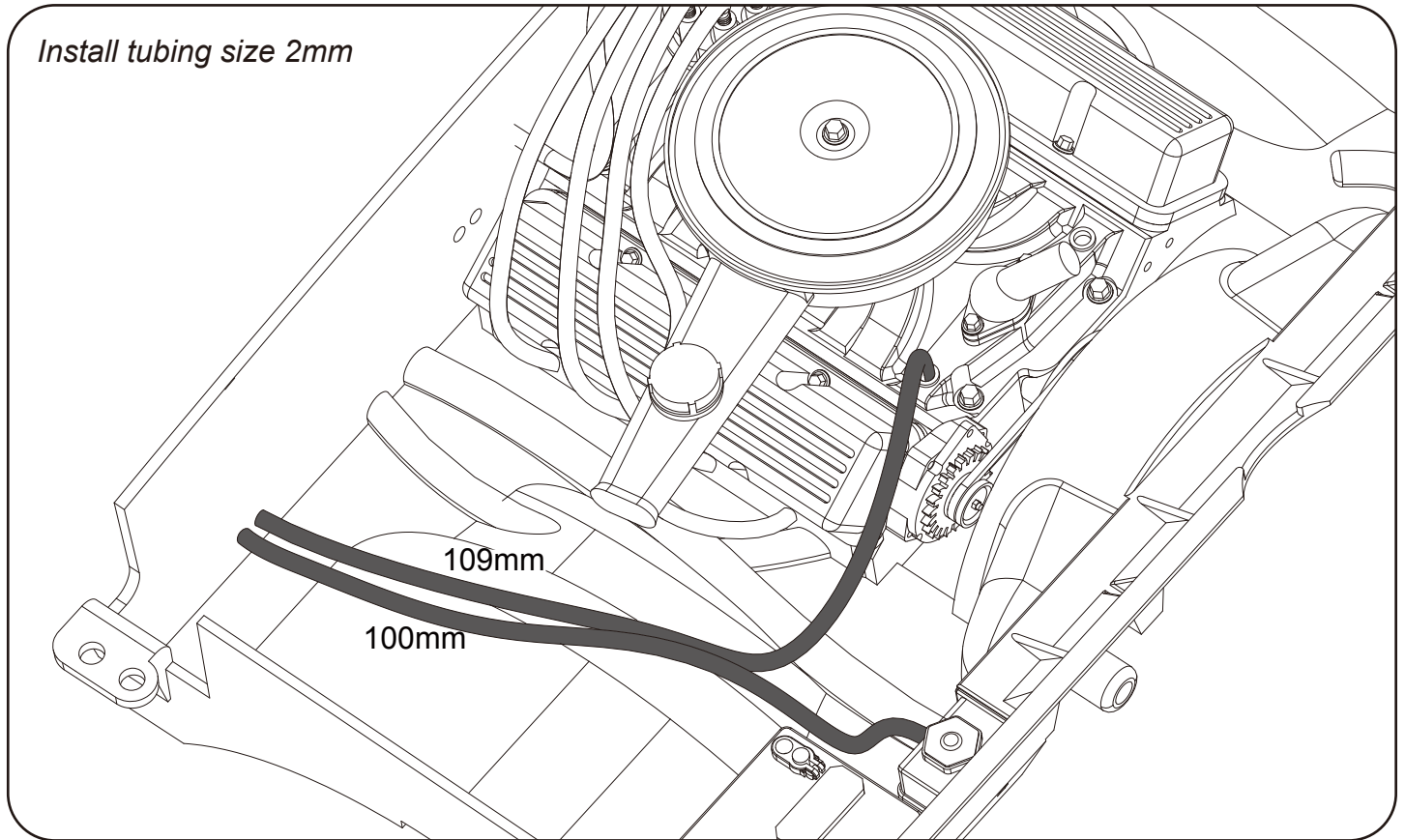
**Step 11.** *The length is for reference only.*



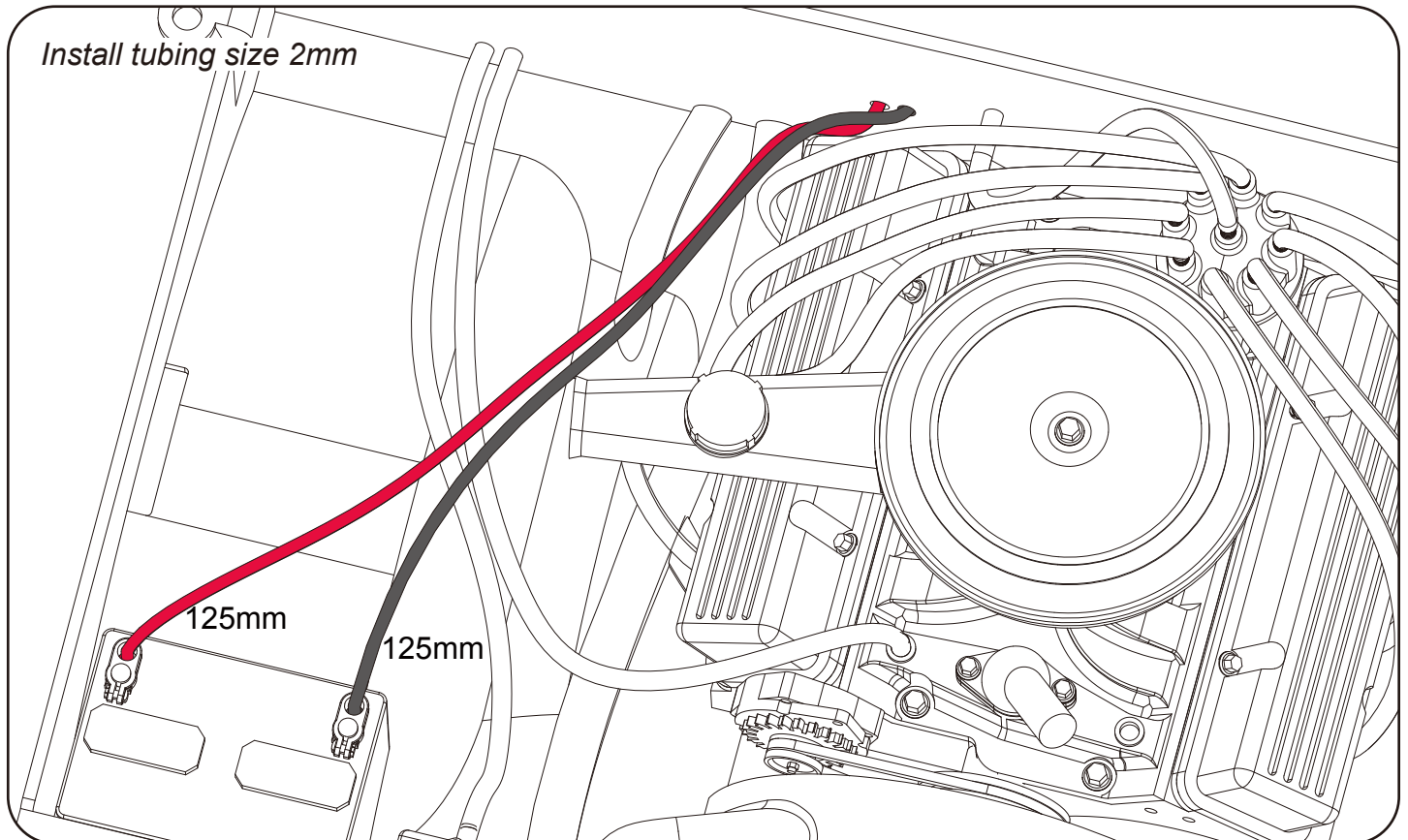


# RC4WD Small Block V8 Engine Bay Dress Up Kit for Chevrolet Blazer and K10

**Step 12.** *The length is for reference only.*



**Step 13.** *The length is for reference only.*

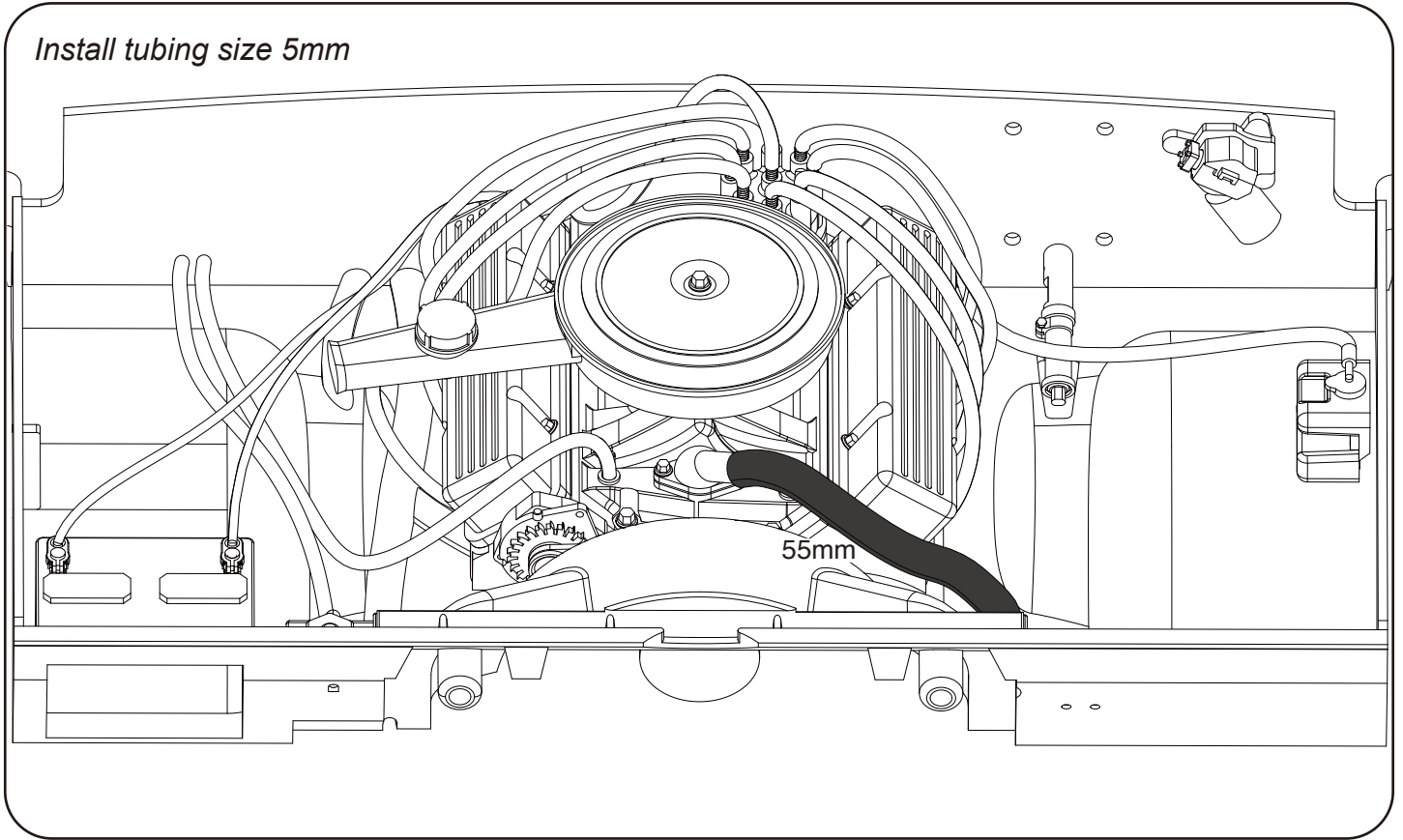




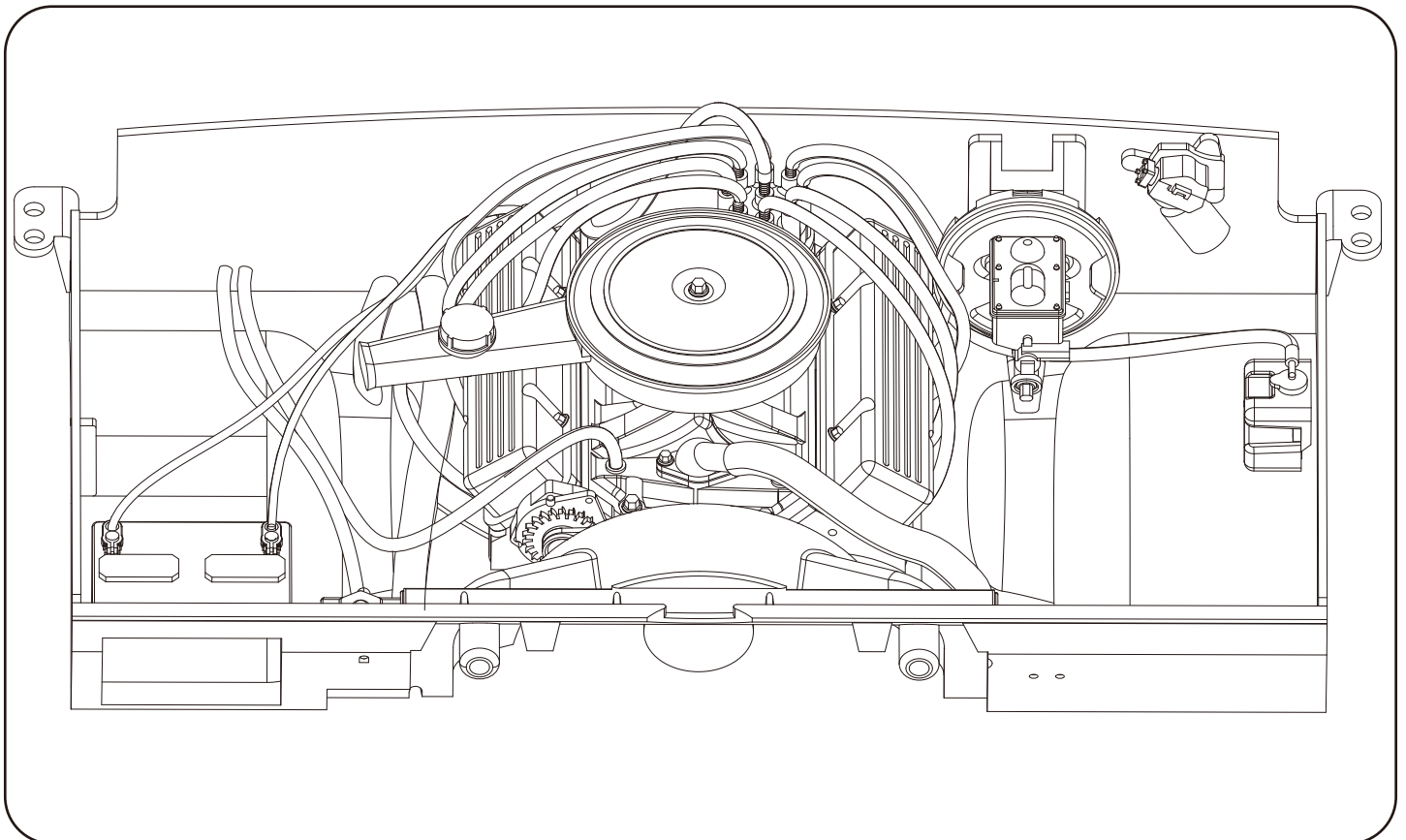
# RC4WD Small Block V8 Engine Bay Dress Up Kit for Chevrolet Blazer and K10

Step 14. *The length is for reference only.*

Install tubing size 5mm



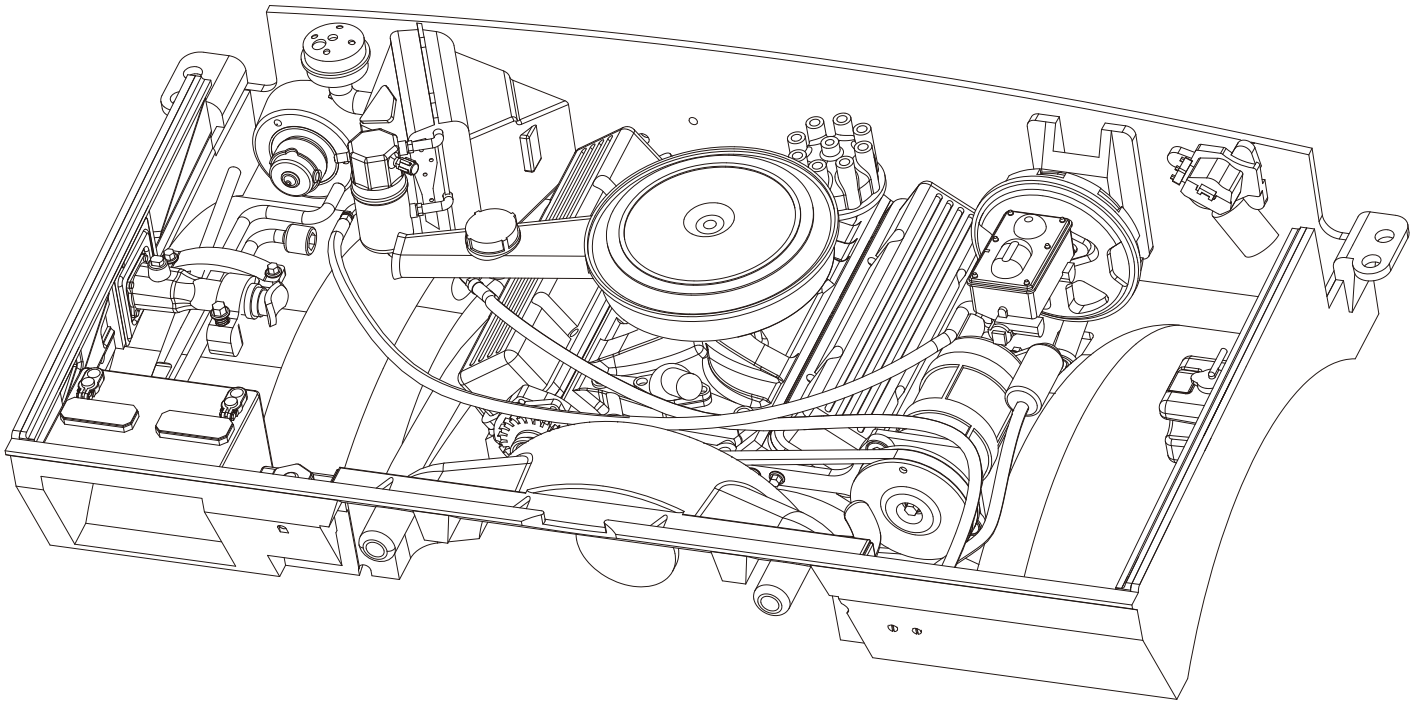
Step 15.







# RC4WD SMALL BLOCK V8 ENGINE BAY ACCESSORIES FOR CHEVROLET BLAZER AND K10



► Due to some parts needing to be permanently glued in place, we recommend that the RC4WD Small Block V8 Engine Bay Dress Up Kit for Chevrolet Blazer and K10 (Z-S0205) be purchased and installed first.

## Instruction Manual Symbols Key



CA Glue



Drill Hole



Cut with Scissors



Trim with Hobby Knife



Paint

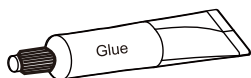


Body Reamer

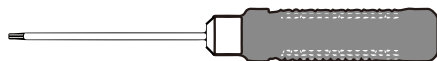


Attention

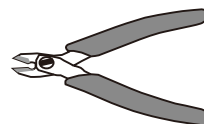
## Recommended Tools



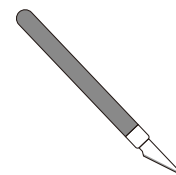
(Foam safe CA, Shoe Goo, E6000, Styrene Glue, Epoxy)



Hex Drivers (1.5mm, 2mm)



Side Cutters



Hobby Knife

## Tips for Assembly

- Use good quality hex drivers to avoid stripping screw heads.
- Use “Step” index for quantity and size of hardware to be used for assembly.
- Do not overtighten screws.

### Recommendations for building your Dress up Kit for Engine Bay.

1. Carefully remove all pieces from parts trees with a hobby knife or side cutters. Take care to trim the injection point from the parts.
2. Test fit everything before gluing. Many areas will require extra attention to detail to ensure proper alignment.
3. Paint 3d printed parts and allow 1 day of drying time before installing.

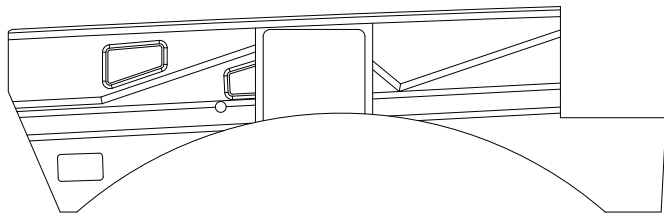
## Warranty

RC4WD non-electrical products are warranted to be free of defects in materials and workmanship when new. Our limited warranty does not cover damages due to normal wear and tear, user error of assembly or installation, user modifications, user's failure to perform routine maintenance, addition of aftermarket parts or option parts. This warranty lasts 30 days after arrival for original purchaser.

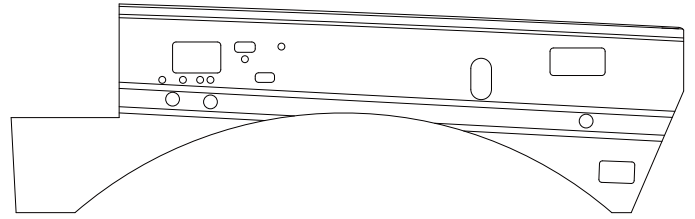
In the event of a defect under this warranty, RC4WD will, at our discretion, replace the product, provided our inspection indicates that an original defect exists. RC4WD reserves the right to replace any product which is no longer available with a product of comparable value and function. If RC4WD determines the repair is not covered under warranty guidelines, we will contact you to discuss your options. If you have any questions, please contact us via email at [support@rc4wd.com](mailto:support@rc4wd.com).

RC4WD warrants its electronics for 30 days from date of arrival. This covers all electrical items except items that are already noted on the individual product page.

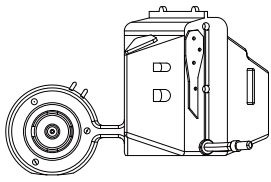
# Parts List



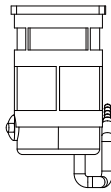
400-0094



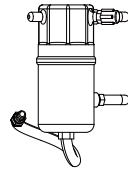
400-0095



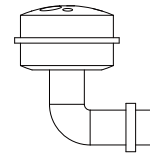
400-0096



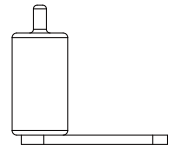
400-0097



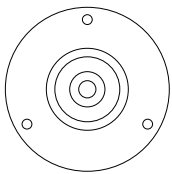
400-0098



400-0099



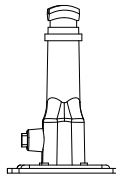
400-0100



400-0101



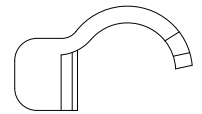
400-0102



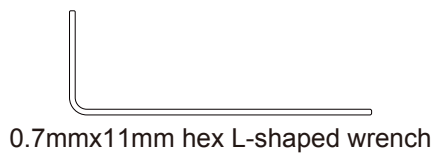
400-0103



400-0104



400-0105



0.7mmx11mm hex L-shaped wrench

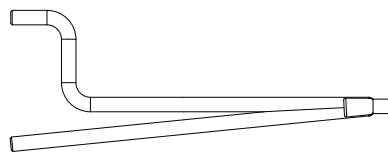


Ø1.3mm



Ø1.6mm

Drill Tool



400-0106



400-0107



X2

Z-S0423  
M2 x 8mm Hex Bolts



x6

Z-S1124  
M1.6 x 4mm Hex Bolts



X2

Z-S1516  
M2 x 4mm FHCS

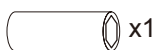


x5

HSHS  
M1.6 X 6mm



1.9 x 45mm  
Rubber Band



x1

Z-S1328  
Hex Bolt Tool for M1.6  
Scale Bolts (1.5 mm Hex)



x1

Z-S0626  
Miniature Scale Hex  
Bolt Tool (M2 Hex)

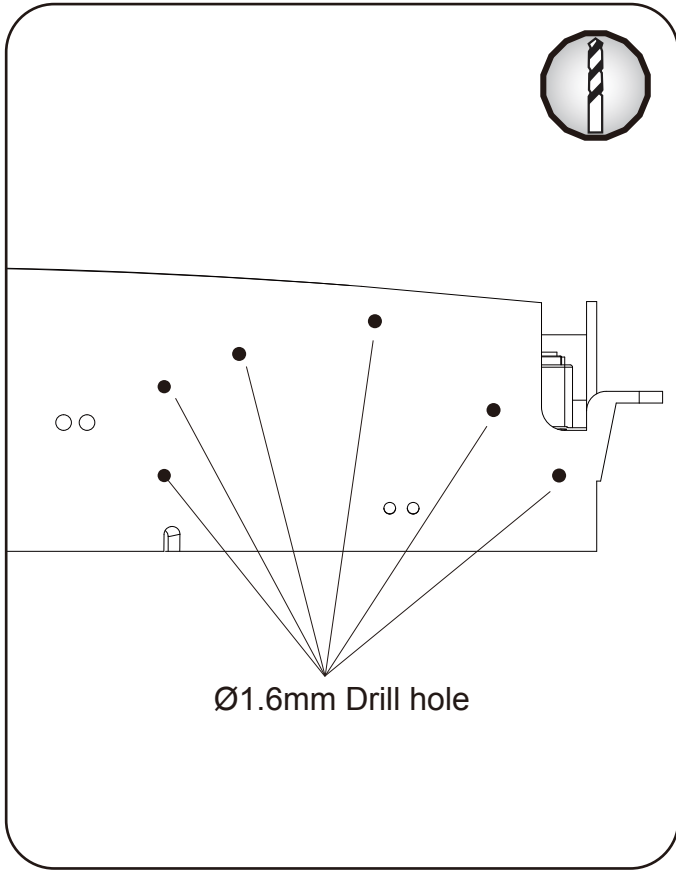
500mm / Ø2mm

Rubber (Black)

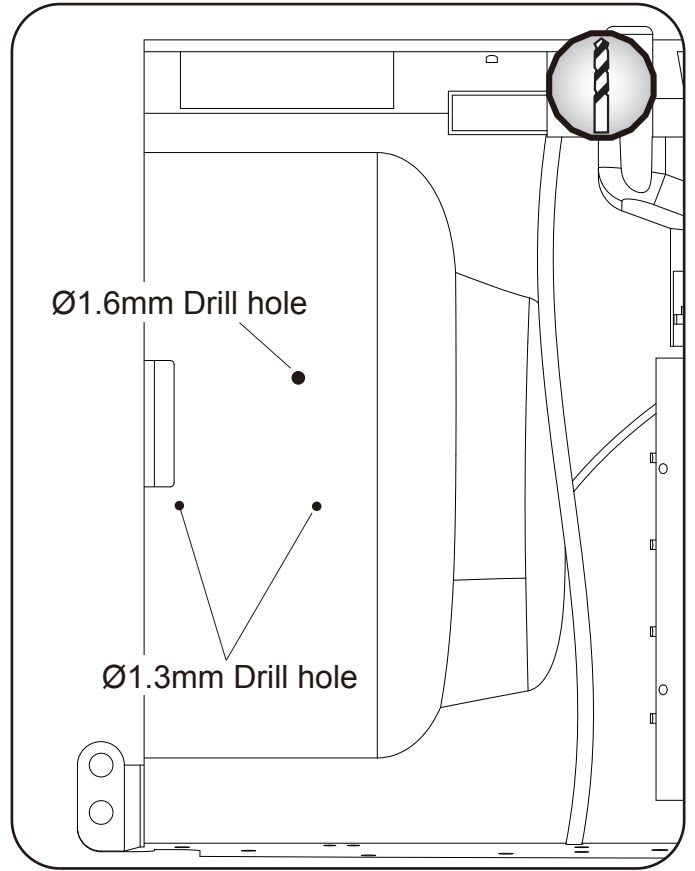


# RC4WD Small Block V8 Engine Bay Accessories for Chevrolet Blazer and K10

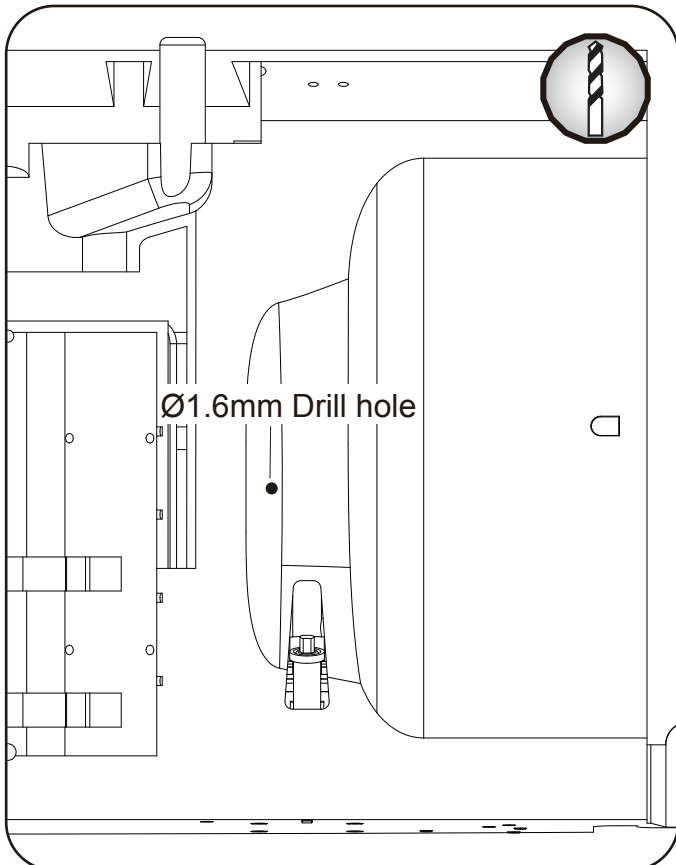
Step 1.



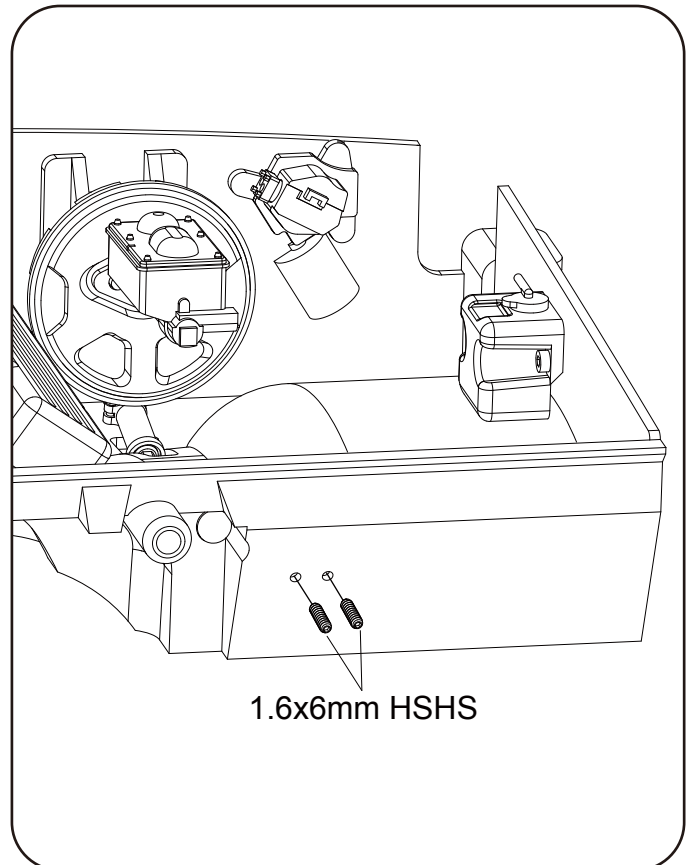
Step 2.



Step 3.



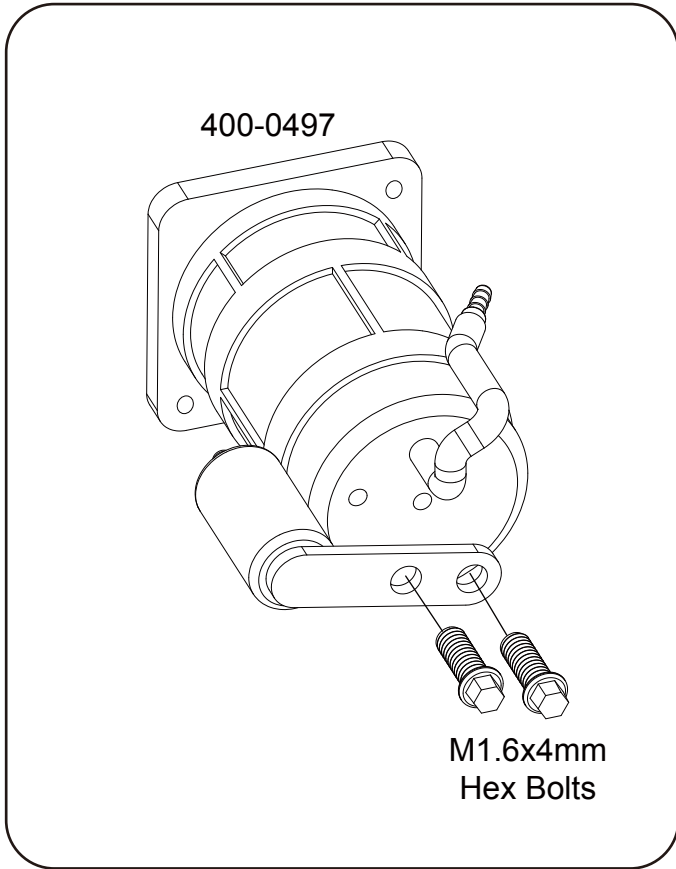
Step 4.



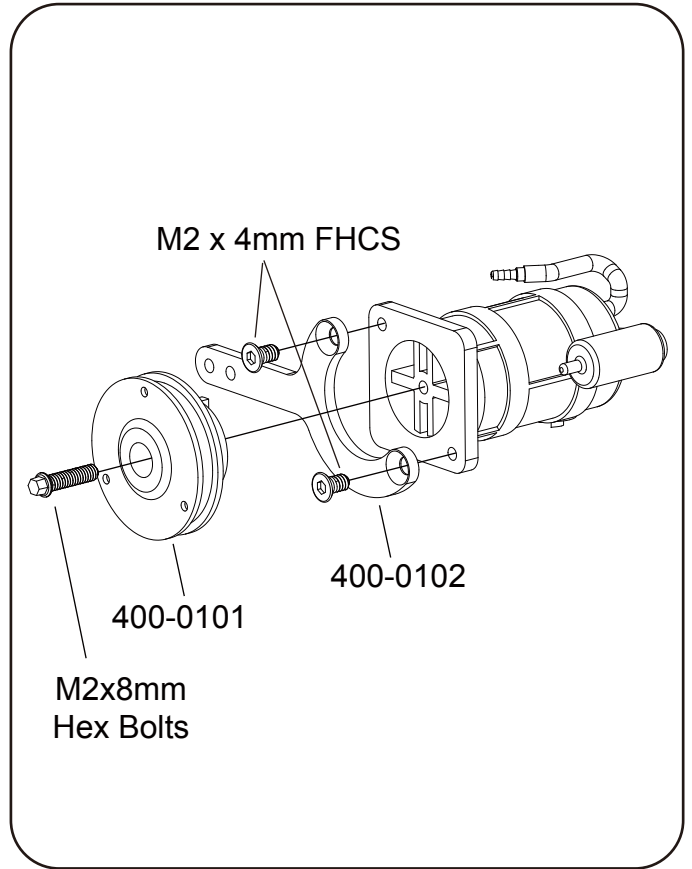


# RC4WD Small Block V8 Engine Bay Accessories for Chevrolet Blazer and K10

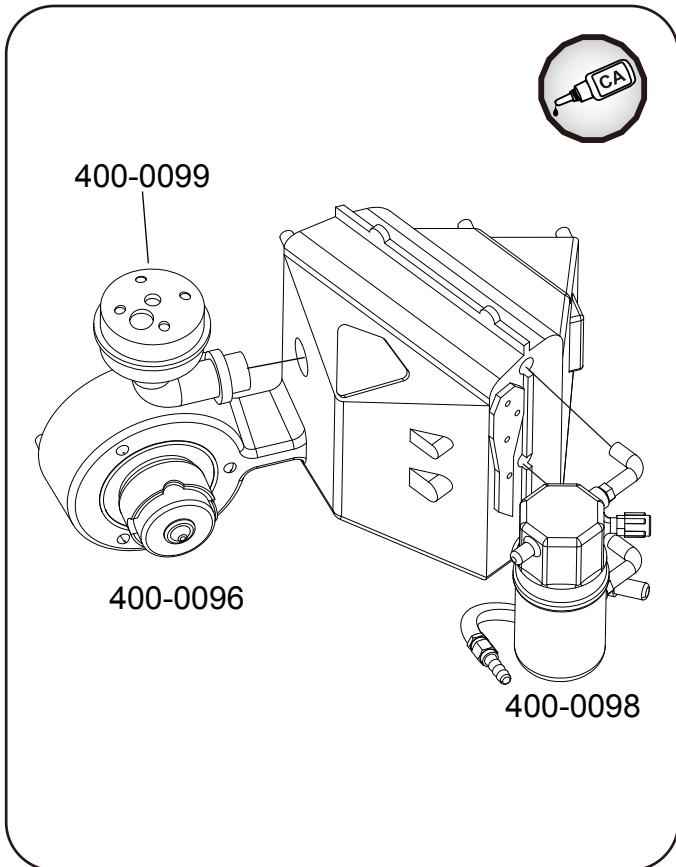
Step 5.



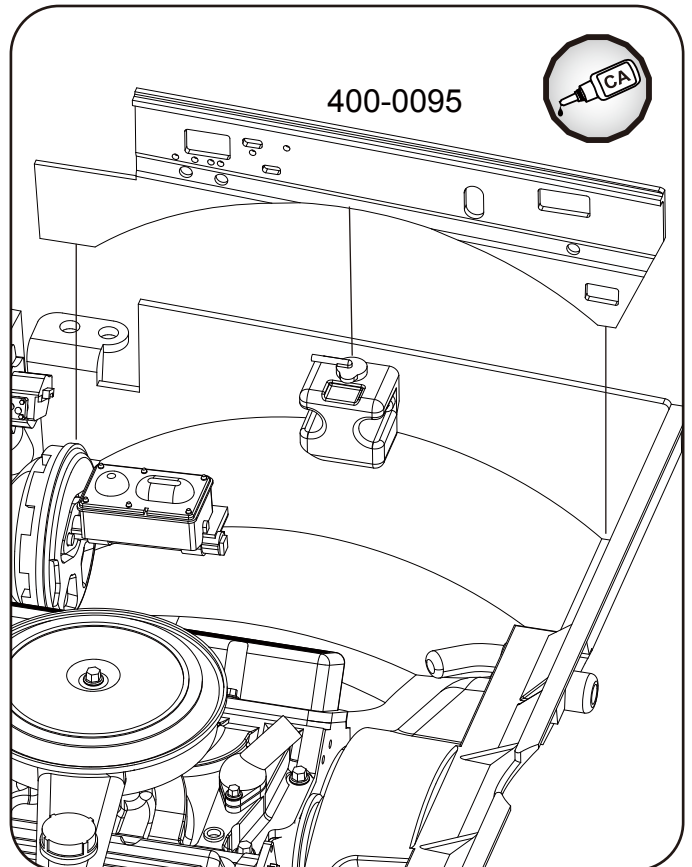
Step 6.



Step 7.



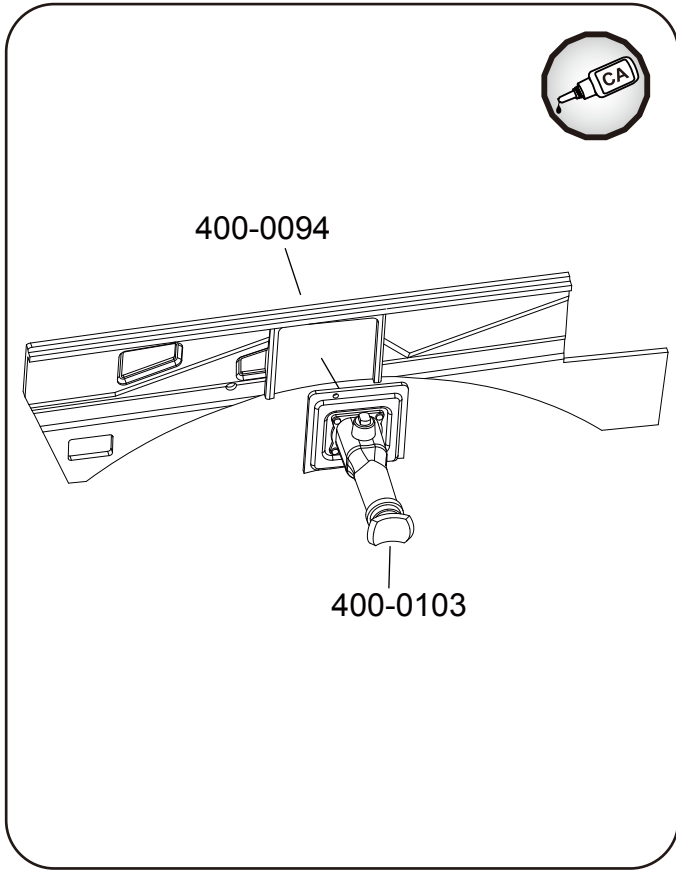
Step 8.



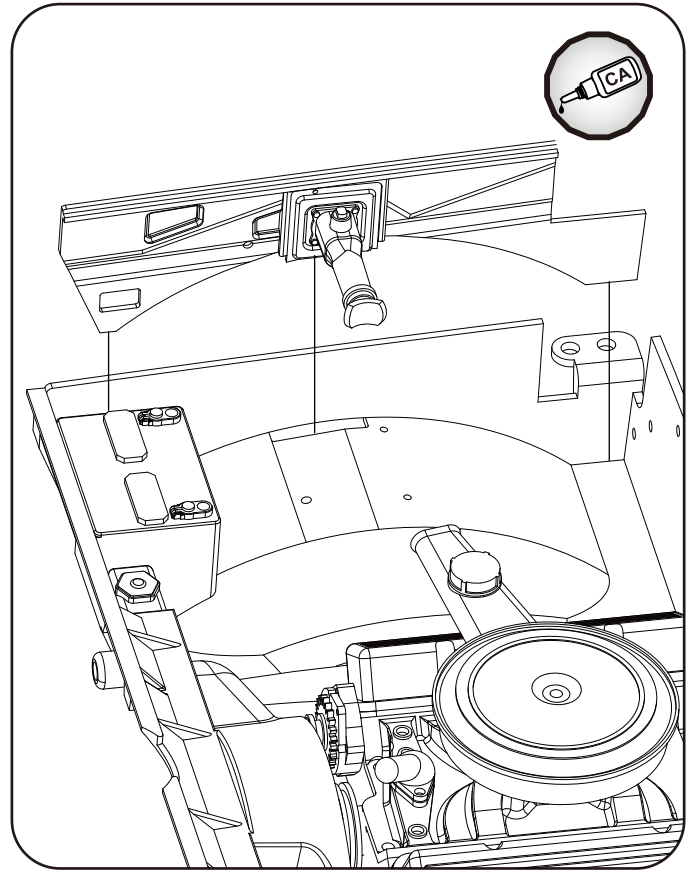


# RC4WD Small Block V8 Engine Bay Accessories for Chevrolet Blazer and K10

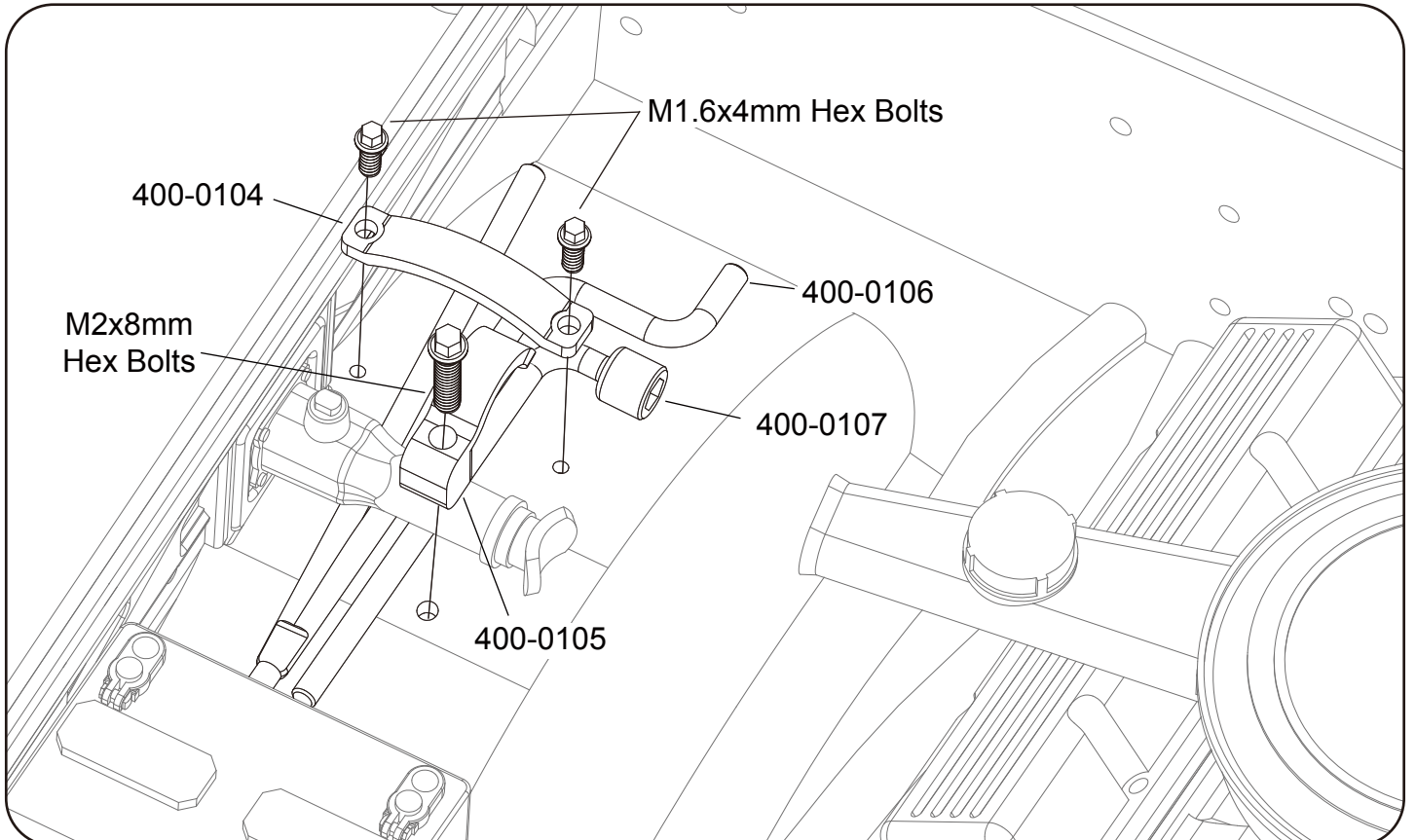
Step 9.



Step 10.



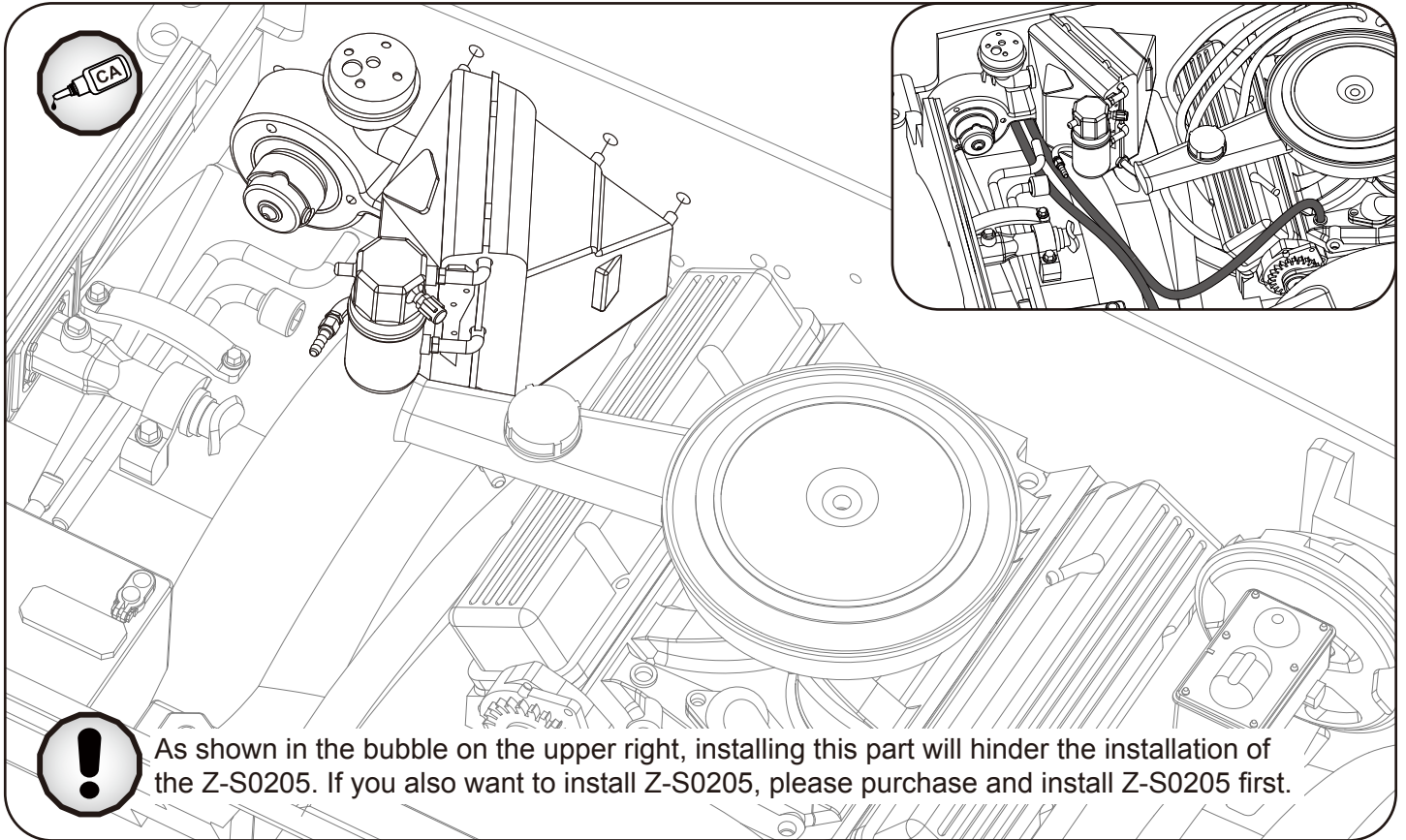
Step 11.



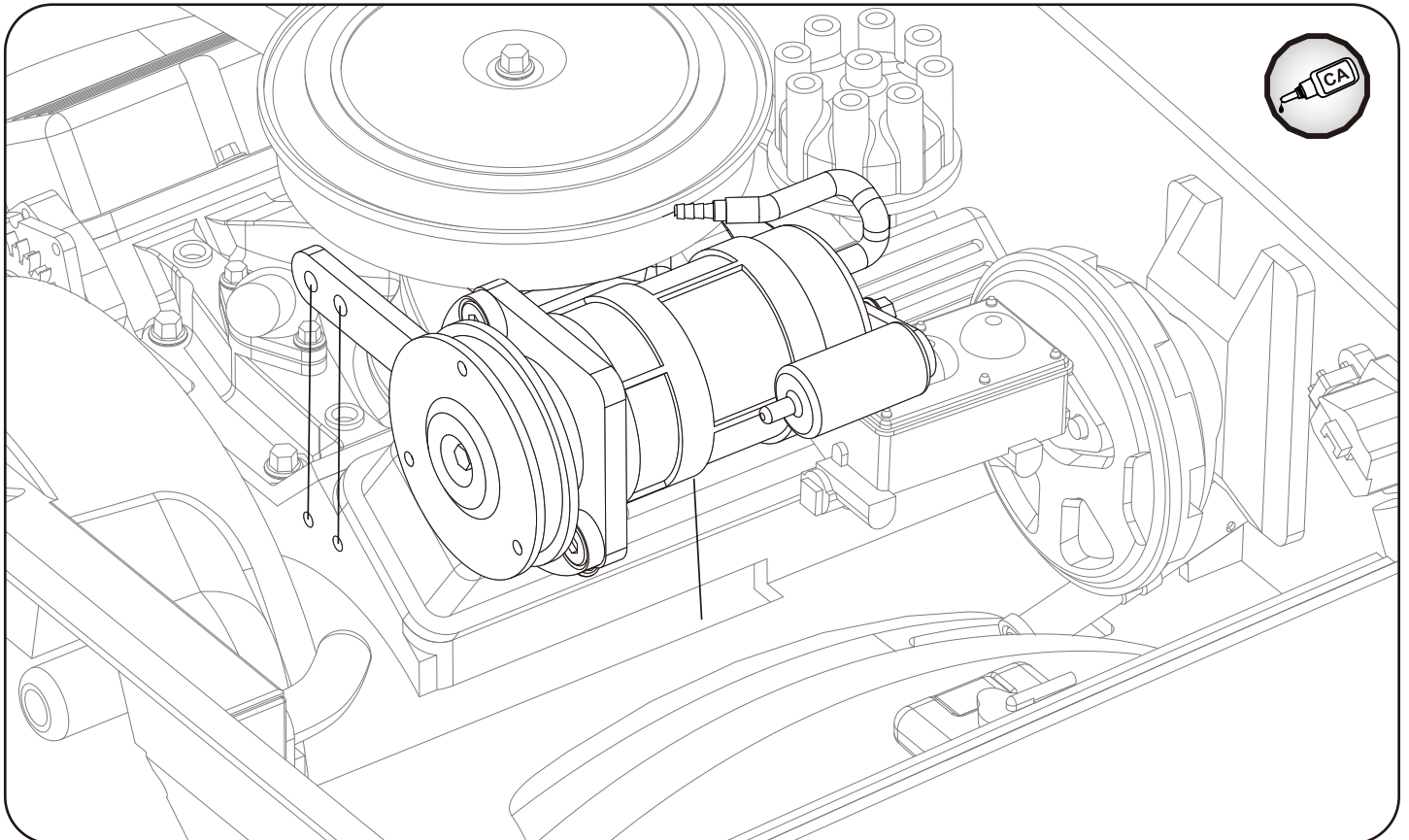


# RC4WD Small Block V8 Engine Bay Accessories for Chevrolet Blazer and K10

## Step 12.



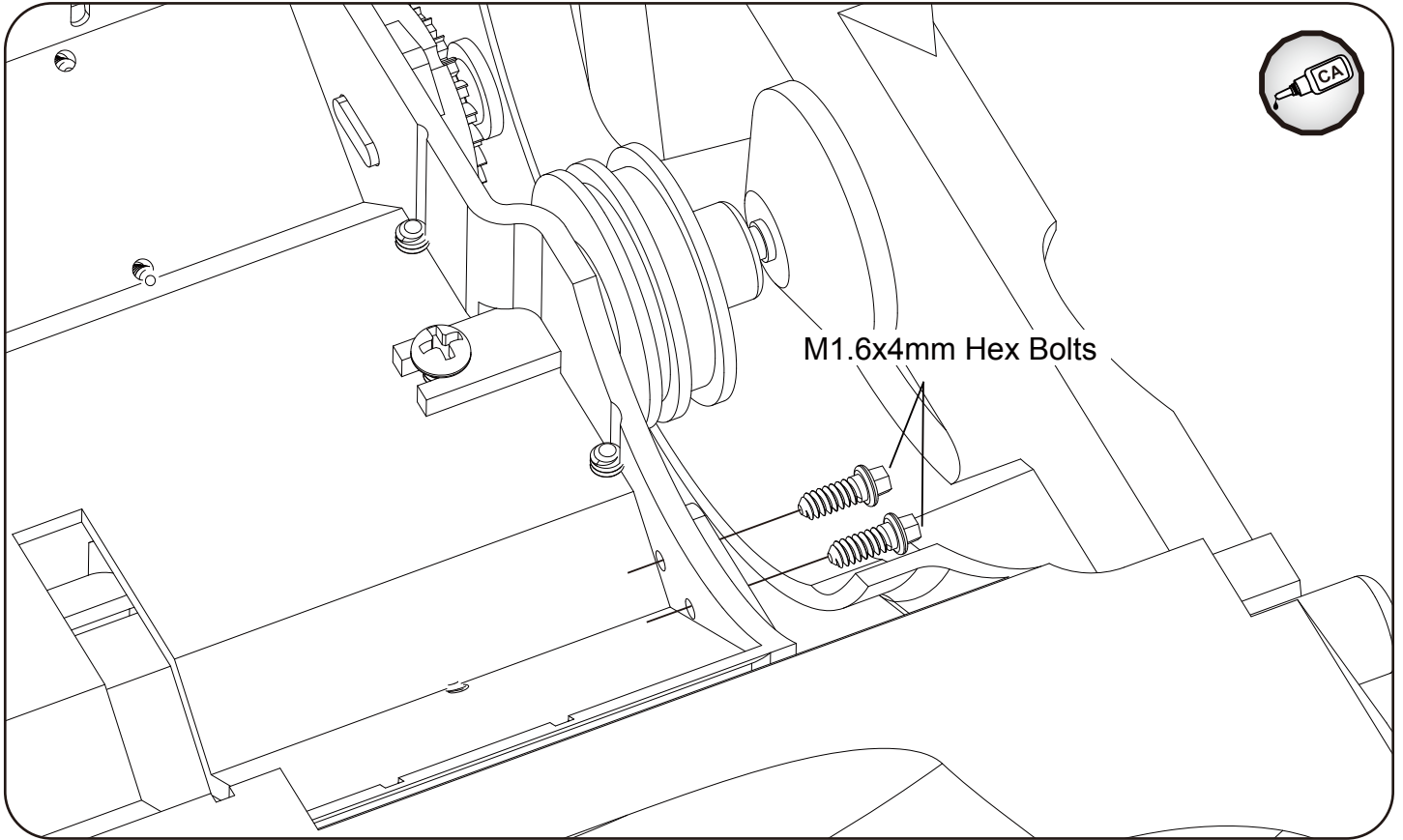
## Step 13.



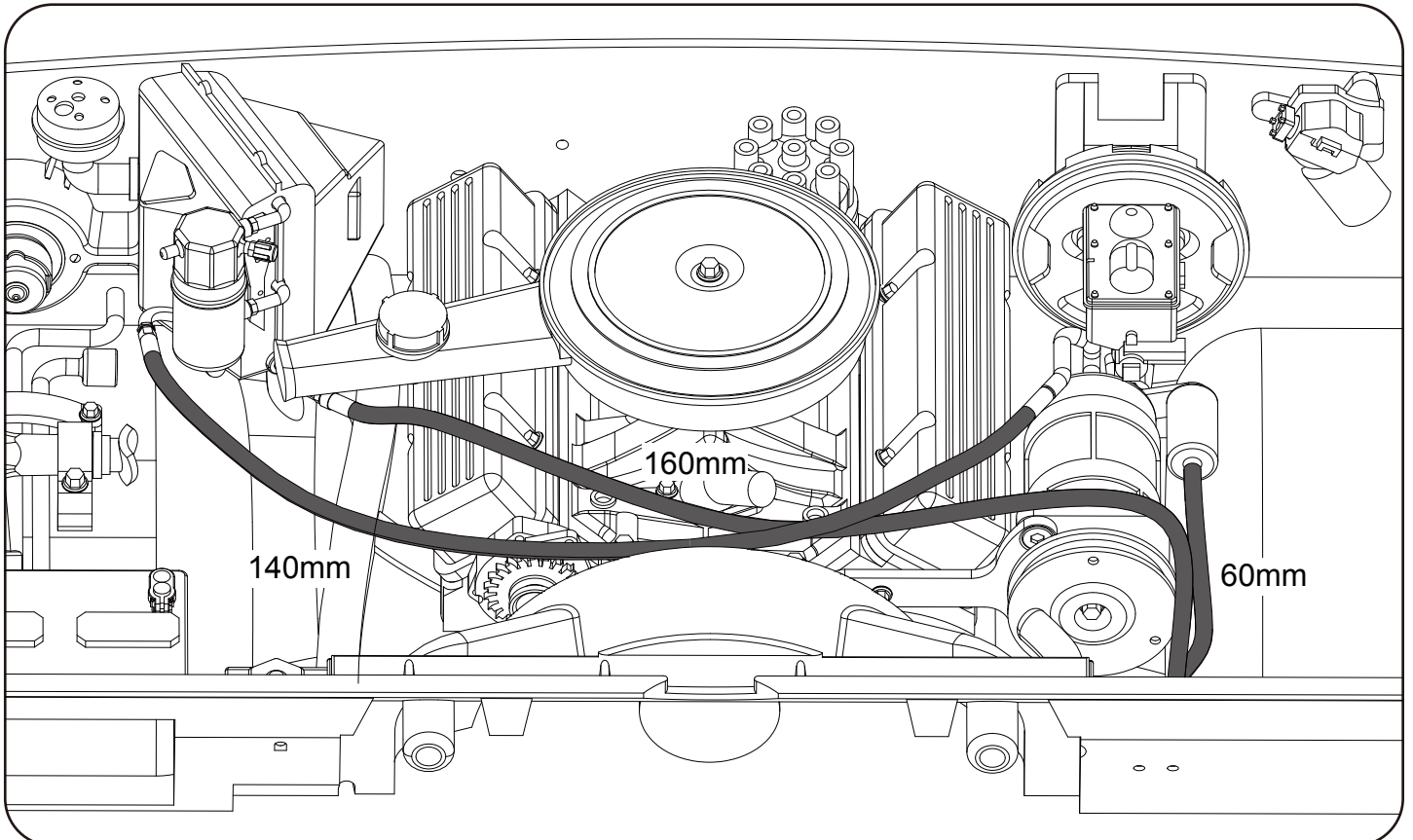


# RC4WD Small Block V8 Engine Bay Accessories for Chevrolet Blazer and K10

Step 14.



Step 15. *The length is for reference only.*

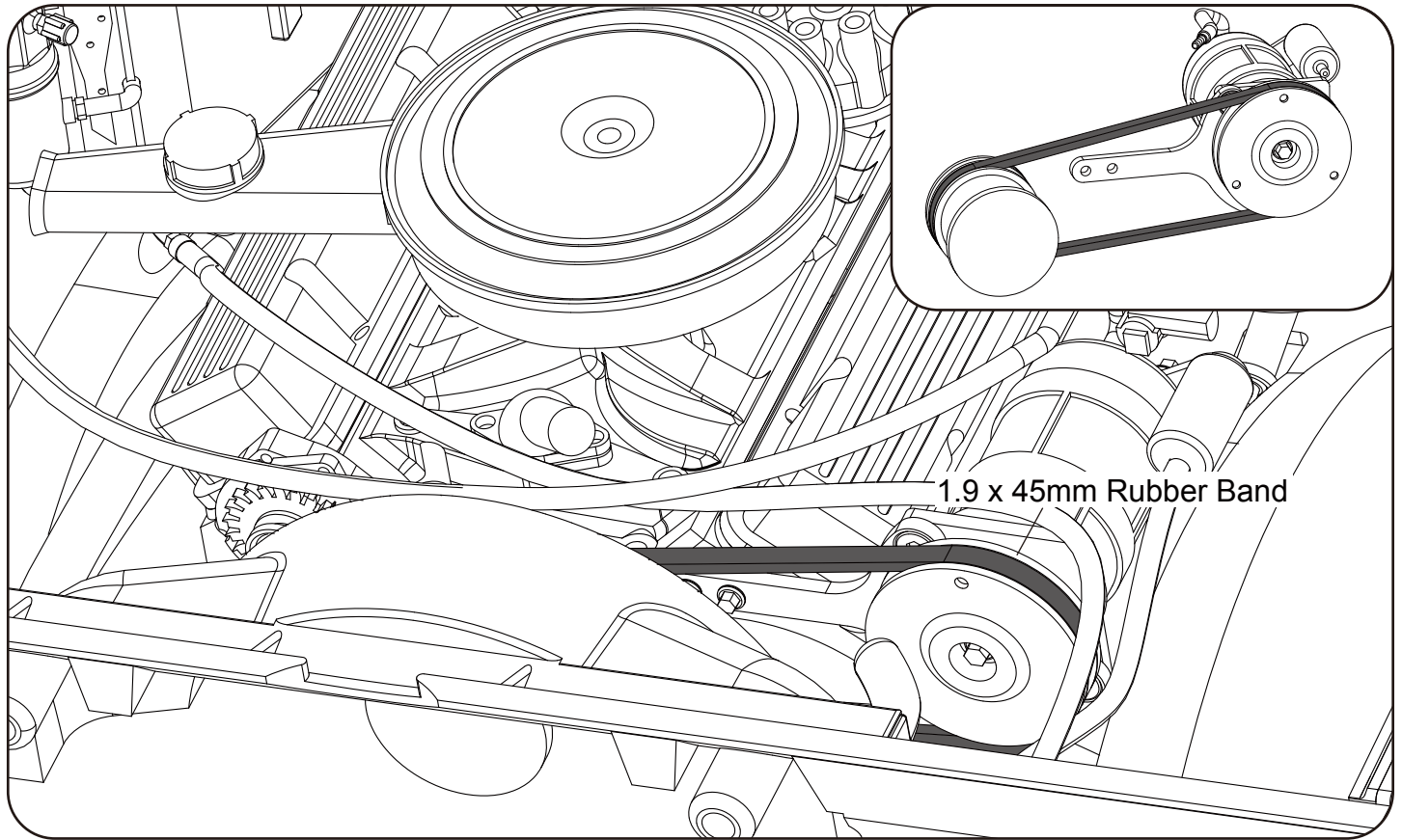




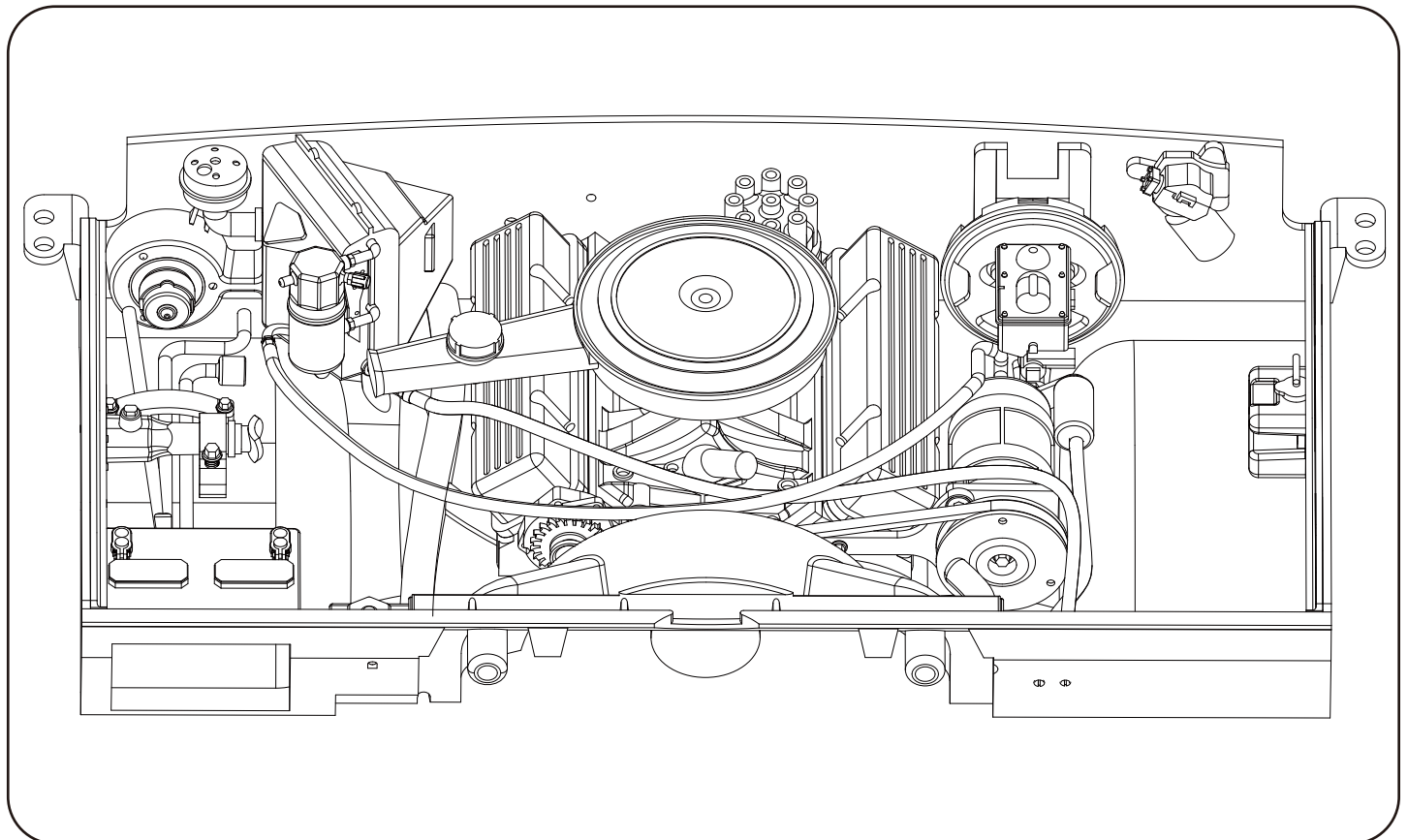


# RC4WD Small Block V8 Engine Bay Accessories for Chevrolet Blazer and K10

Step 16.



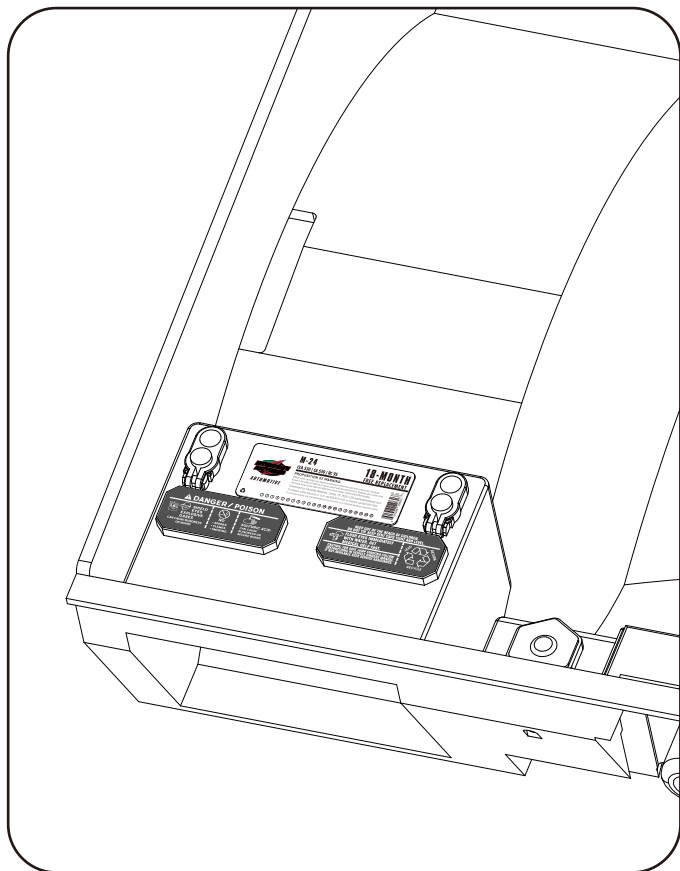
Step 17.



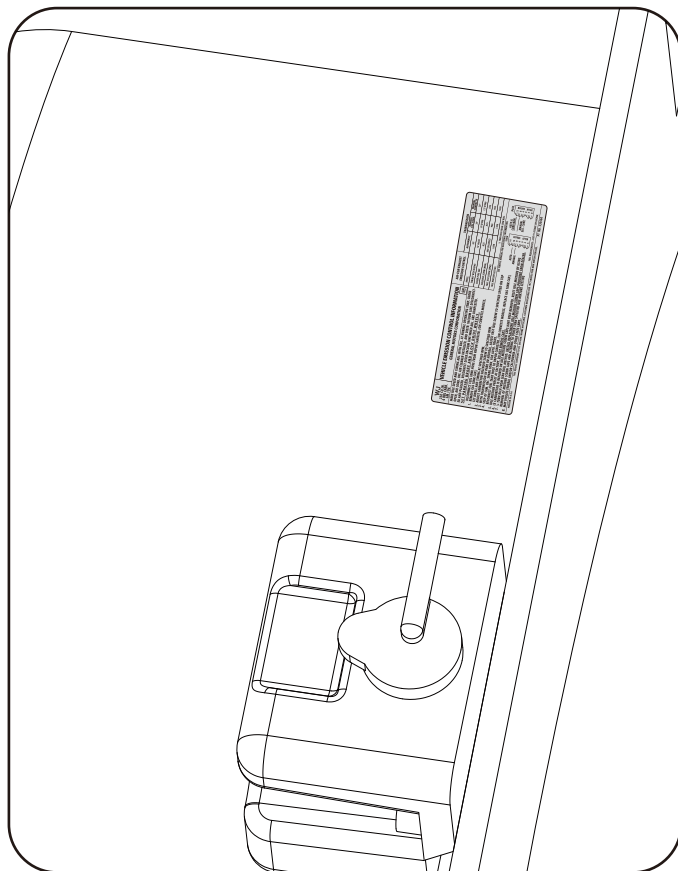
# OPTIONAL DECAL PLACEMENT

Colocación de calcomanías opcionales / Placement optionnel des autocollants / Optionale Aufkleberplatzierung

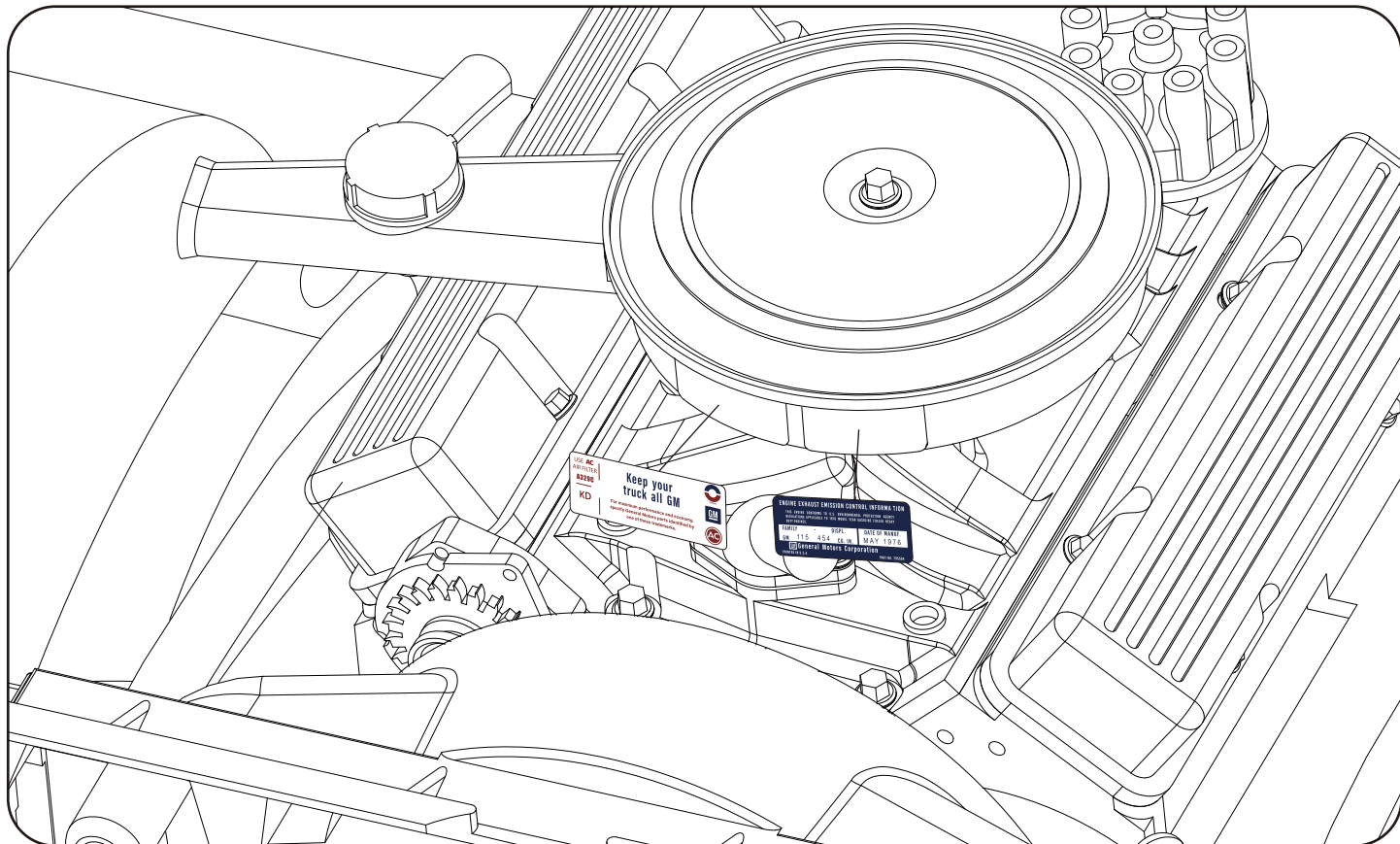
Step 1.



Step 2.



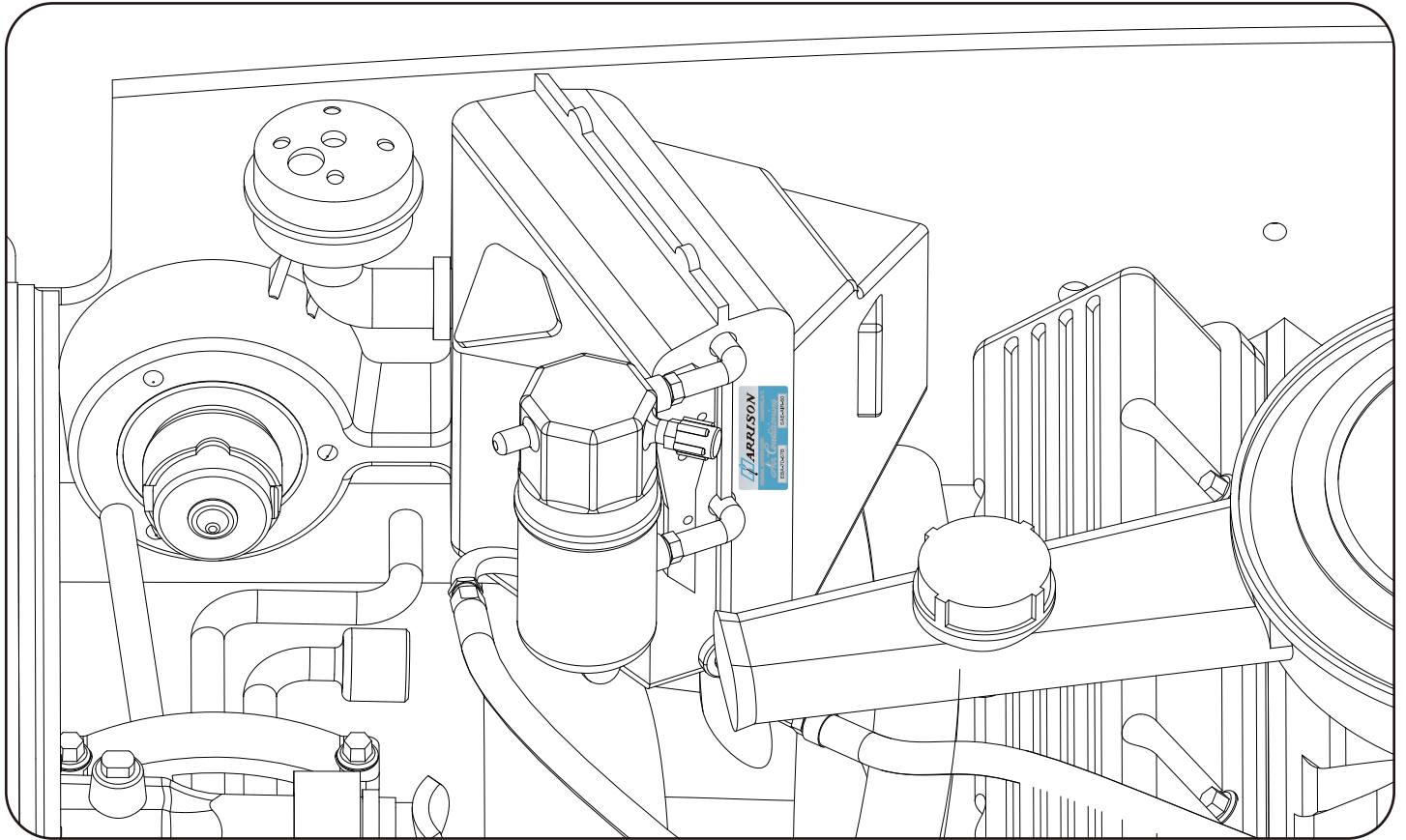
Step 3.



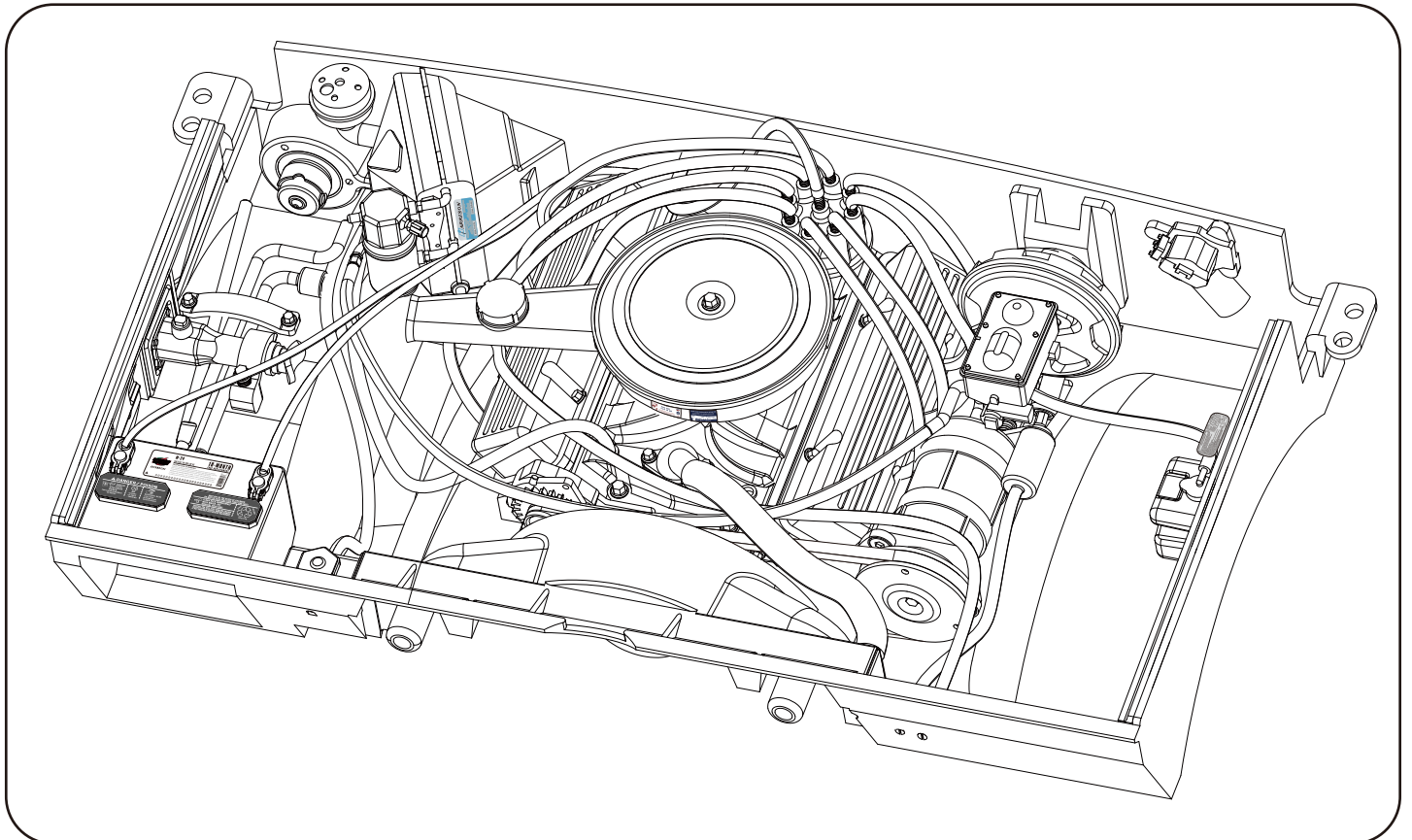
# OPTIONAL DECAL PLACEMENT

Colocación de calcomanías opcionales / Placement optionnel des autocollants / Optionale Aufkleberplatzierung

## Step 4.



## Step 5.





[www.rc4wd.com](http://www.rc4wd.com)



**RC4WD**

737 N. Gateway St.

Visalia, CA 93291

Web: [www.rc4wd.com](http://www.rc4wd.com) - Email: [support@rc4wd.com](mailto:support@rc4wd.com)